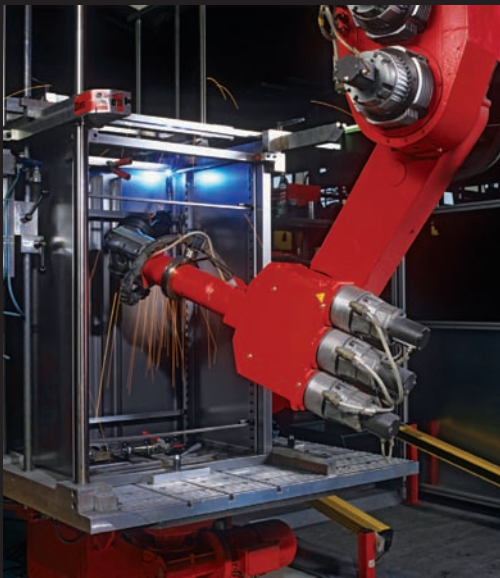


Reid Supply Company®

Bearings and Power Transmission



WE'RE GROWING!

We've added over 6500 SKU's to our Bearings and Power Transmission line!



GSA Contract GS-06F-0095S

800.253.0421

www.ReidSupply.com

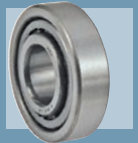
NEW!

Spherical Roller Bearings



NEW!

Cylindrical Roller Bearings



NEW!

Needle Roller Bearings



NEW!

Sprockets



NEW!

Roller Chain



Motors



V-Belts



Mounted Bearings



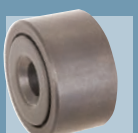
Ball Bearings



Linear Bearings



Cam Followers





Growth is a Good Thing!

We've significantly increased our bearings and PT offering, so much so that we have expanded into a second warehouse in Indiana specifically for bearings and PT.

We're pretty sure that if you need it, we've got it, including shock absorbers, gas springs, chain systems, bellows, shaft couplings and collars, ball joints and rod ends, bearing pullers, polymer bearings, spur and miter gears, (hang on, just a few more...) thrust bearings, ball bearings, tapered roller bearings, mounted bearings, graphite bearings, bushings, wearstrips, bronze bearings, chrome balls, stainless steel balls, (almost there...) metric dry bearings, cam followers, linear bearings, shafting, rail systems, ball screws, motors, industrial V-belts, timing pulleys, and roller chains (Whew!).

Here are a few of our **powerhouse manufacturers**:



So there you have it. Bearings, power transmission and a whole bunch more from Reid Supply.

HOW ABOUT THIS FOR **PRODUCT LINES** AND **SKU COUNTS?**

- **Sprockets**
(2410 NEW ITEMS)
stocked in Indiana
- **Timing Belts**
(2695 NEW ITEMS)
stocked in Michigan
- **Roller Chains**
(395 NEW ITEMS)
stocked in Indiana
- **Needle Bearings**
(355 NEW ITEMS)
stocked in Indiana
- **Spherical and Cylindrical Bearings**
(685 NEW ITEMS)
stocked in Indiana



SPHERICAL ROLLER BEARINGS

2400 Series



Cat. No.	Bore d (in)	OD D (in)	Width B (in)	Load Rating (Lbs.)		Speed Limit Lubrication		Price Each
				Dynamic	Static	Grease rpm	Oil rpm	
IDC-24024M	4.7244	7.0866	2.3622	84,100	151,000	1,600	2,000	290.88
IDC-24026M	5.1181	7.8740	2.7165	107,000	183,000	1,500	1,900	347.66
IDC-24028M	5.5118	8.2677	2.7165	111,000	202,000	1,400	1,800	384.94
IDC-24030M	5.9055	8.8583	2.9528	127,000	234,000	1,300	1,700	493.34
IDC-24032M	6.2992	9.4488	3.1496	148,000	270,000	1,100	1,500	595.44
IDC-24034M	6.6929	10.2362	3.5433	180,000	328,000	1,000	1,400	665.52
IDC-24036M	7.0866	11.0236	3.9370	211,000	389,000	950	1,300	775.98
IDC-24038M	7.4803	11.4173	3.9370	220,000	405,000	950	1,300	882.80
IDC-24040M	7.8740	12.2047	4.2913	254,000	477,000	900	1,200	1064.04
IDC-24044M	8.6614	13.3858	4.6457	306,000	585,000	850	1,100	1393.08
IDC-24048M	9.4488	14.1732	4.6457	310,000	607,000	800	1,000	1958.09
IDC-24052M	10.2362	15.7480	5.5118	396,000	776,000	700	900	2754.10
IDC-24056M	11.0236	16.5354	5.5118	421,000	855,000	670	850	3018.02
IDC-24060M	11.0236	18.1102	6.2992	529,000	1,070,000	600	750	4200.05
IDC-24064M	12.5984	18.8976	6.2992	558,000	1,150,000	560	700	4821.00
IDC-24068M	13.3858	20.4724	7.0866	673,000	1,390,000	530	670	6432.03
IDC-24072M	14.1732	21.2598	7.0866	700,000	1,470,000	500	630	8382.10

Shaker Screen



Tapered Bore Cat. No.	Straight Bore Cat. No.	Bore d (in)	OD D (in)	Width B (in)	Load Rating (Lbs.)		Speed Limit Lubrication		Price Each	
					Dynamic	Static	Grease rpm	Oil rpm	Tapered Bore	Straight Bore
IDC-22311KM	IDC-22308MA	1.5748	3.5433	1.2992	338,000	31,500	4,500	5,600	—	73.58
—	IDC-22311MA	2.1654	4.7244	1.699	61,000	14,200	3,200	4,000	98.16	118.44
—	IDC-22312MA	2.3622	5.1181	1.8110	70,000	75,000	2,800	3,600	—	122.06
—	IDC-22313MA	2.5591	5.5118	1.8898	76,500	81,000	2,600	3,400	—	127.34
—	IDC-22314MA	2.7559	5.9055	2.0079	90,000	97,000	2,200	3,000	—	158.90
—	IDC-22316MA	3.1496	6.6929	2.2835	110,000	121,000	2,000	2,800	—	200.94
—	IDC-22318MA	3.5433	7.4803	2.5197	137,000	156,000	1,800	2,400	—	265.08
—	IDC-22320MA	3.9370	8.4646	2.8740	183,000	214,000	1,700	2,200	—	354.94
—	IDC-22322MA	4.3307	9.4488	3.1496	214,000	252,000	1,600	2,000	—	473.14
—	IDC-22324MA	4.7244	10.2362	3.3858	217,000	252,000	1,400	1,800	—	653.94
—	IDC-22326MA	5.1181	11.0236	3.6614	252,000	297,000	1,300	1,700	—	811.26
—	IDC-22328MA	5.5118	11.8110	4.0157	290,000	351,000	1,100	1,500	—	945.98
—	IDC-22330MA	5.9055	12.5984	4.2520	328,000	396,000	1,000	1,400	—	1160.07
—	IDC-22332MA	6.2292	13.3858	4.4882	360,000	440,000	950	1,300	—	1306.01

CYLINDRICAL ROLLER BEARINGS

Single Row



NU/NUP



N



NJ

N Cat. No.	NJ Cat. No.	NU Cat. No.	NUP Cat. No.	Bore d (in)	OD D (in)	Width B (in)	Load Rating (Lbs.)		Speed Limit Lubrication		Price Each				
							Dynamic	Static	Grease rpm	Oil rpm	N	NJ	NU	NUP	
—	IDC-NJ304E	—	—	0.7874	2.0472	0.5906	6,920	5,850	12,000	15,000	—	16.84	—	—	—
IDC-N305	IDC-NJ305E	IDC-NU305E	IDC-NUP305E	0.9843	2.4409	0.6693	9,040	8,210	9,500	12,000	18.92	22.36	17.96	21.76	—
IDC-N306	IDC-NJ306E	IDC-NU306E	IDC-NUP306E	1.1811	2.8346	0.7480	11,500	10,800	9,000	11,000	20.98	23.48	21.94	22.44	—
IDC-N307	IDC-NJ307E	IDC-NU307E	IDC-NUP307E	1.3780	3.1496	0.8268	14,500	14,200	8,000	9,500	30.34	22.14	20.74	35.98	—
IDC-N308	IDC-NJ308E	IDC-NU308E	IDC-NUP308E	1.5748	3.5433	0.9055	18,200	17,500	6,700	8,000	35.26	37.42	40.50	39.76	—
IDC-N309	IDC-NJ309E	IDC-NU309E	IDC-NUP309E	1.7717	3.9370	0.9843	22,300	22,500	6,300	7,500	41.50	38.58	41.50	41.30	—
IDC-N310	IDC-NJ310E	IDC-NU310E	IDC-NUP310EC3	1.9685	4.3307	1.0630	24,700	25,200	5,000	6,000	48.64	46.56	45.12	60.76	—
IDC-N311	IDC-NJ311E	IDC-NU311E	IDC-NUP311E	2.1654	4.7244	1.1417	31,000	32,200	4,800	5,600	46.44	54.36	74.24	76.20	—
IDC-N312	IDC-NJ312E	IDC-NU312E	IDC-NUP312EC3	2.3622	5.1181	1.2205	34,000	36,000	4,300	5,000	54.02	71.16	49.42	88.26	—
IDC-N313	IDC-NJ313E	IDC-NU313E	IDC-NUP313EC3	2.5591	5.5118	1.2992	41,100	44,100	4,000	4,800	83.48	83.48	58.04	106.94	—
IDC-N314	IDC-NJ314E	IDC-NU314E	IDC-NUP314E	2.7559	5.9055	1.3780	46,100	51,300	3,600	4,300	68.40	98.66	95.14	115.30	—
IDC-N315	IDC-NJ315E	IDC-NU315E	IDC-NUP315EMC3	2.9528	6.2992	1.4567	54,400	59,600	3,400	4,000	123.50	114.48	110.54	133.48	—
IDC-N316	IDC-NJ316E	IDC-NU316E	IDC-NUP316EM3	3.1496	6.6929	1.5354	58,500	65,200	3,200	3,800	123.66	91.32	128.76	185.26	—
IDC-N317	IDC-NJ317E	IDC-NU317E	IDC-NUP317EM3	3.3465	7.0866	1.6142	66,800	75,300	3,000	3,600	108.32	126.86	113.38	148.58	—
IDC-N318	IDC-NJ318E	IDC-NU318E	IDC-NUP318EMC3	3.5433	7.4803	1.6929	71,700	80,900	2,800	3,400	146.02	156.34	159.48	163.14	—
IDC-N319	IDC-NJ319E	IDC-NU319E	—	3.7402	7.8740	1.7717	76,700	87,700	2,600	3,200	157.06	231.04	182.84	—	—
IDC-N320	IDC-NJ320E	IDC-NU320E	—	3.9370	8.4646	1.8504	87,900	98,900	2,400	3,000	232.40	233.52	204.38	—	—
IDC-N322	IDC-NJ322E	IDC-NU322M	—	4.3307	9.4488	1.9685	105,000	121,000	2,000	2,600	295.42	232.14	307.04	—	—
IDC-N324	IDC-NJ324E	IDC-NU324E	—	4.7244	10.2362	2.1654	121,000	139,000	1,900	2,400	389.70	389.70	294.74	—	—
IDC-N326	IDC-NJ326E	IDC-NU326E	—	5.1181	11.0236	2.2835	141,000	169,000	1,800	2,200	473.64	453.06	342.06	—	—
IDC-N328	IDC-NJ328E	IDC-NU328E	—	5.5118	11.8110	2.4409	153,000	187,000	1,800	2,200	904.76	539.46	558.94	—	—
—	IDC-NJ330E	IDC-NU330E	—	5.9055	12.5984	2.5591	176,000	217,000	1,700	2,000	—	842.38	625.50	—	—

NEEDLE ROLLER BEARINGS

Shell type needle roller bearings are lightweight with the lowest sectional height among needle roller bearings with outer ring, because they employ a shell type outer ring made from a thin special-steel plate which is accurately drawn, carburized and quenched.

Shell Type Series BA Inch



Bearing



Inner Ring

Series BA are inch standard series of shell type needle roller bearing with caged rollers.

Bearing Cat. No.	Inside Diameter	Outside Diameter	Width	Basic Load Rating (Lbs.)		Usable Inner Ring Cat. No.	Price Each	
				Dynamic	Static		Bearing	Inner Ring
IKO-BA44ZOH	1/4	7/16	1/4	1,770	1,390	—	4.48	—
IKO-BA55ZOH	5/16	1/2	1/2	1,880	1,560	—	2.68	—
IKO-BA65ZOH	3/8	9/16	5/16	2,220	2,010	—	2.96	—
IKO-BA76ZOH	7/16	5/8	3/8	3,290	3,470	—	3.88	—
IKO-BA85ZOH	1/2	11/16	5/16	2,490	2,510	—	2.78	—
IKO-BA95ZOH	9/16	3/4	5/16	2,760	2,970	—	4.80	—
IKO-BA108ZOH	5/8	13/16	1/2	5,420	7,310	IKO-IRB681	2.86	6.44
IKO-BA116ZOH	11/16	7/8	3/8	4,530	5,980	IKO-IRB86	3.54	4.94
IKO-BA126ZOH	3/4	1	3/8	5,040	5,850	—	3.68	—
IKO-BA136ZOH	13/16	17/16	3/8	5,230	6,300	—	4.70	—
IKO-BA146ZOH	7/8	1 1/8	3/8	5,430	6,740	—	3.26	—
IKO-BA158ZOH	15/16	1 3/16	1/2	8,000	11,400	—	6.14	—
IKO-BA166ZOH	1	1 1/4	3/8	6,010	8,020	—	6.34	—
IKO-BA1710ZOH	1 1/16	1 5/16	5/8	11,600	19,200	—	7.86	—
IKO-BA186ZOH	1 1/8	1 3/8	3/8	6,330	8,910	—	5.16	—
IKO-BA1910ZOH	1 3/16	1 1/2	5/8	15,000	22,500	—	6.80	—
IKO-BA218ZOH	1 9/16	1 5/8	1/2	11,100	15,800	IKO-IRB1681	7.28	8.80
IKO-BA228ZOH	1 3/8	1 5/8	1/2	9,770	16,600	IKO-IRB188	4.78	8.80
IKO-BA248ZOH	1 1/2	1 7/8	1/2	12,900	17,900	—	6.32	—
IKO-BA268ZOH	1 5/8	2	1/2	13,700	19,300	—	10.26	—
IKO-BA2812ZOH	1 3/4	2 1/8	3/4	25,200	44,500	—	9.92	—
IKO-BA308ZOH	1 7/8	2 1/4	1/2	14,700	22,800	IKO-IRB2481	9.90	9.68
IKO-BA328ZOH	2	2 3/8	1/2	15,400	24,700	—	11.52	—
IKO-BA348ZOH	2 1/8	2 1/2	1/2	16,100	26,600	—	17.94	—
IKO-BA3612ZOH	2 1/4	2 5/8	3/4	28,500	56,700	—	16.40	—
IKO-BA4216ZOH	2 5/8	3	1	42,000	97,900	IKO-IRB3616	22.88	18.98
IKO-BA4410ZOH	2 3/4	3 1/8	5/8	25,000	50,800	—	29.92	—

Shell Type Series BHA Inch



Bearing



Inner Ring

Series BHA are inch heavy duty series of shell type needle roller bearings with caged rollers.

Bearing Cat. No.	Inside Diameter	Outside Diameter	Width	Basic Load Rating (Lbs.)		Usable Inner Ring Cat. No.	Price Each	
				Dynamic	Static		Bearing	Inner Ring
IKO-BHA57ZOH	5/16	9/16	7/16	4,150	3,730	—	2.78	—
IKO-BHA68ZOH	3/8	5/8	1/2	4,880	4,740	—	2.78	—
IKO-BHA78ZOH	7/16	1 1/16	1/2	5,680	5,970	—	2.56	—
IKO-BHA87ZOH	1/2	3/4	7/16	5,670	6,120	—	2.96	—
IKO-BHA98ZOH	9/16	13/16	1/2	6,380	7,330	IKO-IRB68	3.12	5.94
IKO-BHA108ZOH	5/8	7/8	1/2	6,680	8,020	IKO-IRB681	2.78	6.44
IKO-BHA1212ZOH	3/4	1 1/16	3/4	16,600	22,600	IKO-IRB8121	5.44	6.68
IKO-BHA1410ZOH	7/8	1 3/16	5/8	14,300	19,500	—	4.86	—
IKO-BHA168ZOH	1	1 5/16	1/2	10,200	13,100	IKO-IRB128	5.28	6.50
IKO-BHA1812ZOH	1 1/8	1 1/2	3/4	2,500	32,200	IKO-IRB1412	5.10	8.80
IKO-BHA228ZOH	1 3/8	3/4	1/2	14,100	18,800	IKO-IRB188	5.94	8.80
IKO-BHA2824ZOH	1 3/4	2 1/4	1/2	72,200	135,000	IKO-IRB2424	16.60	19.00

Shell Type Series TLA Metric



Bearing



Inner Ring

Series TLA are metric standard series of Shell Type Needle Roller Bearings with caged rollers.

Bearing Cat. No.	Inside Diameter mm	Outside Diameter mm	Width mm	Basic Load Rating (Lbs.)		Usable Inner Ring Cat. No.	Price Each	
				Dynamic	Static		Bearing	Inner Ring
IKO-TLA910Z	9	13	10	3,500	4,040	—	2.62	—
IKO-TLA1010Z	10	14	10	3,870	4,740	IKO-IRT710	2.62	3.72
IKO-TLA1210Z	12	16	10	4,350	5,810	IKO-IRT810	2.94	4.24
IKO-TLA1312Z	13	19	12	6,760	8,170	IKO-IRT1012	3.78	4.26
IKO-TLA1412Z	14	20	12	7,080	8,840	IKO-IRT10122	3.36	5.80
IKO-TLA1512Z	15	21	12	7,380	9,520	IKO-IRT1212	3.46	4.76
IKO-TLA1612Z	16	22	12	7,670	10,200	IKO-IRT12121	3.72	5.80
IKO-TLA1712Z	17	23	12	7,960	10,900	—	3.24	—
IKO-TLA1812Z	18	24	12	8,230	11,500	IKO-IRT1512	5.24	6.24
IKO-TLA2012Z	20	26	12	8,740	12,900	—	4.88	—
IKO-TLA2212Z	22	28	12	9,230	14,300	—	4.86	—
IKO-TLA2512Z	25	32	12	9,440	13,900	—	5.14	—
IKO-TLA2816Z	28	35	16	13,800	23,500	—	5.42	—
IKO-TLA3012Z	30	37	12	10,400	16,600	—	5.56	—
IKO-TLA3512Z	35	42	12	11,600	20,000	IKO-IRT3012	6.74	7.74
IKO-TLA4012Z	40	47	12	12,400	22,800	—	8.16	—
IKO-TLA4516Z	45	52	16	17,800	37,800	—	7.42	—
IKO-TLA5020Z	50	58	20	28,800	64,100	IKO-IRT4520	11.64	11.82
IKO-TLA5520Z	55	63	20	29,800	69,400	IKO-IRT50201	13.34	15.08

NEEDLE ROLLER BEARINGS

Machined Type Needle Roller Bearings have an outer ring made by machining, heat treatment and grinding. The outer ring has stable high rigidity and can be easily used even for light alloy housings.

**Machined Type
Series TAF(I)
Metric**



Series TAF(I) are metric light duty series of Machined Type Needle Roller Bearings with caged rollers.

Bearing w/ Inner Ring Cat. No.	Bearing w/o Inner Ring Cat. No.	Inside Diameter		Outside Diameter mm	Width mm	Basic Load Rating (Lbs.)		Price Each	
		w/ Inner Ring mm	w/o Inner Ring mm			Dynamic	Static	Bearing w/ Inner Ring	Bearing w/o Inner Ring
IKO-TAF151512	IKO-TAF81512	5	8	15	12	5,060	4,690	13.05	8.70
IKO-TAF151516	IKO-TAF81516	5	8	15	16	7,080	7,220	15.21	10.14
IKO-TAF161612	IKO-TAF91612	6	9	16	12	5,490	5,330	13.11	8.74
IKO-TAF161616	IKO-TAF91616	6	9	16	16	7,680	8,210	14.76	9.84
IKO-TAF171712	IKO-TAF101712	7	10	17	12	5,880	5,970	14.64	9.76
IKO-TAF171716	IKO-TAF101716	7	10	17	16	8,230	9,190	16.38	10.92
IKO-TAF191912	IKO-TAF121912	9	12	19	12	6,610	7,260	15.90	10.60
IKO-TAF191916	IKO-TAF121916	9	12	19	16	9,250	11,200	16.35	10.90
IKO-TAF1102216	IKO-TAF142216	10	14	22	16	11,700	13,700	16.80	11.20
IKO-TAF1102220	IKO-TAF142220	10	14	22	20	14,800	18,600	18.93	12.62
—	IKO-TAF152316	—	15	23	16	12,300	14,900	—	11.60
—	IKO-TAF152320	—	15	23	20	15,600	20,200	—	13.66
IKO-TAF1122416	IKO-TAF162416	12	16	24	16	12,300	15,100	18.18	12.12
IKO-TAF1122420	IKO-TAF162420	12	16	24	20	15,500	20,400	22.65	15.10
—	IKO-TAF172516	—	17	25	16	12,900	16,300	—	13.22
—	IKO-TAF172520	—	17	25	20	16,300	22,000	—	15.24
—	IKO-TAF182616	—	18	26	16	13,400	17,500	—	12.10
—	IKO-TAF182620	—	18	26	20	17,000	23,600	—	15.30
IKO-TAF1152716	IKO-TAF192716	15	19	27	16	14,000	18,700	19.92	13.28
IKO-TAF1152720	IKO-TAF192720	15	19	27	20	17,700	25,300	23.04	15.36
—	IKO-TAF202816	—	20	28	16	13,900	18,800	—	13.36
—	IKO-TAF202820	—	20	28	20	17,600	25,400	—	15.16
IKO-TAF1172916	IKO-TAF212916	17	21	29	16	14,400	20,000	23.22	15.48
IKO-TAF1172920	IKO-TAF212920	17	21	29	20	18,200	27,100	25.80	17.20
—	IKO-TAF223016	—	22	30	16	14,900	21,200	—	15.84
—	IKO-TAF223020	—	22	30	20	18,900	28,700	—	17.56
IKO-TAF1203216	IKO-TAF243216	20	24	32	16	15,300	22,500	23.79	15.86
IKO-TAF1203220	IKO-TAF243220	20	24	32	20	19,400	30,500	25.98	17.32
—	IKO-TAF253316	—	25	33	16	15,800	23,700	—	15.88
—	IKO-TAF253320	—	25	33	20	20,000	32,100	—	17.82
IKO-TAF1223416	IKO-TAF263416	22	26	34	16	16,300	24,900	25.95	17.30
IKO-TAF1223420	IKO-TAF263420	22	26	34	20	20,600	33,800	27.15	18.10
—	IKO-TAF283720	—	28	37	20	21,700	37,100	—	18.52
—	IKO-TAF283730	—	28	37	30	31,100	58,900	—	22.86
IKO-TAF1253820	IKO-TAF293820	25	29	38	20	21,600	37,200	29.07	19.38
IKO-TAF1253830	IKO-TAF293830	25	29	38	30	30,900	59,100	35.76	23.84
—	IKO-TAF304020	—	30	40	20	25,100	40,100	—	19.40
—	IKO-TAF304030	—	30	40	30	36,000	63,900	—	23.40
IKO-TAF1284220	IKO-TAF324220	28	32	42	20	25,700	42,200	29.19	19.46
IKO-TAF1284230	IKO-TAF324230	28	32	42	30	36,800	67,200	35.82	23.88
IKO-TAF1304520	IKO-TAF354520	30	35	45	20	26,900	46,200	30.87	20.58
IKO-TAF1304530	IKO-TAF354530	30	35	45	30	38,600	73,600	35.19	23.46
IKO-TAF1324720	IKO-TAF374720	32	37	47	20	28,200	50,100	35.70	23.80
IKO-TAF1324730	IKO-TAF374730	32	37	47	30	40,500	79,800	41.10	27.40
—	IKO-TAF384820	—	38	48	20	28,100	50,200	—	22.70
—	IKO-TAF384830	—	38	48	30	40,300	80,000	—	27.86
IKO-TAF1355020	IKO-TAF405020	35	40	50	20	29,400	54,100	33.54	22.36
IKO-TAF1355030	IKO-TAF405030	35	40	50	30	42,300	86,200	41.07	27.38
—	IKO-TAF425220	—	42	52	20	29,900	56,200	—	24.86
—	IKO-TAF425230	—	42	52	30	43,000	89,400	—	32.24
IKO-TAF1385320	IKO-TAF435320	38	43	53	20	30,500	58,200	37.62	25.08
IKO-TAF1385330	IKO-TAF435330	38	43	53	30	43,800	92,600	48.63	32.42
IKO-TAF1405520	IKO-TAF455520	40	45	55	20	31,000	60,200	37.68	25.12
IKO-TAF1405530	IKO-TAF455530	40	45	55	30	44,600	95,800	48.78	32.52
IKO-TAF1425720	IKO-TAF475720	42	47	57	20	31,500	62,200	41.31	27.54
IKO-TAF1425730	IKO-TAF475730	42	47	57	30	45,200	99,100	49.83	33.22
IKO-TAF1456225	IKO-TAF506225	45	50	62	25	43,000	85,300	41.94	27.96
IKO-TAF1456235	IKO-TAF506235	45	50	62	35	58,000	125,000	51.63	34.42
IKO-TAF1506825	IKO-TAF556825	50	55	68	25	45,400	94,000	52.53	35.02
IKO-TAF1506835	IKO-TAF556835	50	55	68	35	61,200	138,000	59.79	39.86

**Machined Type
Series (R)NA
Metric**



Bearing w/ Inner Ring Cat. No.	Bearing w/o Inner Ring Cat. No.	Inside Diameter		Outside Diameter mm	Width mm	Basic Load Rating (Lbs.)		Price Each	
		w/ Inner Ring mm	w/o Inner Ring mm			Dynamic	Static	Bearing w/ Inner Ring	Bearing w/o Inner Ring
IKO-NA498	IKO-RNA498	8	10	19	11	6,180	5,030	26.55	17.70
IKO-NA499	IKO-RNA499	9	12	20	11	6,600	6,310	24.30	16.20
IKO-NA4900	IKO-RNA4900	10	14	22	13	9,230	10,300	22.08	14.72
IKO-NA4901	IKO-RNA4901	12	16	24	13	9,660	11,100	22.44	14.96
IKO-NA4902	IKO-RNA4902	15	20	28	13	10,900	13,800	23.64	15.76
IKO-NA4903	IKO-RNA4903	17	22	30	13	11,700	15,600	25.74	17.16
IKO-NA4904	IKO-RNA4904	20	25	37	17	21,000	25,000	27.84	18.56
IKO-NA4905	IKO-RNA4905	25	30	42	17	23,700	30,700	33.84	22.56
IKO-NA4906	IKO-RNA4906	30	35	47	17	25,200	34,700	37.11	24.74
IKO-NA4907	IKO-RNA4907	35	42	55	20	32,000	50,100	41.82	27.88
IKO-NA4908	IKO-RNA4908	40	48	62	22	41,600	67,400	46.89	31.26
IKO-NA4909	IKO-RNA4909	45	52	68	22	43,500	73,300	51.45	34.30
IKO-NA4910	IKO-RNA4910	50	58	72	22	46,200	82,100	56.73	37.82

New!

SPROCKETS

Visit our website
for our full line
of roller chain
and additional
chain sizes.

These ANSI standard sprockets are manufactured with an ANSI standard keyway on the centerline of the tooth, two set screws located 90° and 180° to the keyway and have a black oxide finish. These sprockets can be used with roller chain on pages 6 and 7.

#35 Chain (3/8 Pitch)

Cat. No.	No. of Teeth	OD	Width	Available Bore Range								Price Each		
IDC-35B9F	9	1.260	3/4	3/8*	—	—	—	—	—	—	—	—	—	3.03
IDC-35B10F	10	1.380	3/4	3/8*	1/2*	5/8**	—	—	—	—	—	—	—	3.03
IDC-35B11F	11	1.500	3/4	3/8*	1/2*	5/8**	3/4**	—	—	—	—	—	—	3.27
IDC-35B12F	12	1.630	3/4	—	1/2*	5/8	3/4	—	—	—	—	—	—	3.48
IDC-35B13F	13	1.750	3/4	—	1/2*	5/8	3/4	—	—	—	—	—	—	3.48
IDC-35B14F	14	1.870	3/4	—	1/2*	5/8	3/4	—	—	—	—	—	—	3.57
IDC-35B15F	15	1.990	3/4	—	1/2*	5/8	3/4	7/8	1	—	—	—	—	3.72
IDC-35B16F	16	2.110	3/4	—	1/2*	5/8	3/4	7/8	1	—	—	—	—	3.99
IDC-35B17F	17	2.230	3/4	—	1/2*	5/8	3/4	7/8	1	—	—	—	—	4.29
IDC-35B18F	18	2.350	3/4	—	1/2*	5/8	3/4	7/8	1	—	—	—	—	4.77
IDC-35B19F	19	2.470	3/4	—	1/2*	5/8	3/4	—	1	—	—	—	—	5.04
IDC-35B20F	20	2.590	3/4	—	1/2*	5/8	3/4	—	1	—	—	—	—	5.73
IDC-35B21F	21	2.710	7/8	—	1/2*	5/8	3/4	—	1	—	—	—	—	6.24
IDC-35B22F	22	2.830	7/8	—	1/2*	5/8	3/4	—	1	—	—	—	—	6.51
IDC-35B23F	23	2.950	7/8	—	1/2*	5/8	3/4	—	1	—	—	—	—	7.17
IDC-35B24F	24	3.070	7/8	—	1/2*	5/8	3/4	—	1	—	—	—	—	7.32
IDC-35B25F	25	3.190	7/8	—	1/2*	5/8	3/4	—	1	—	—	—	—	7.83
IDC-35B26F	26	3.310	7/8	—	—	5/8	3/4	7/8	1	1 1/8	1 3/16	1 1/4	—	8.64
IDC-35B27F	27	3.430	7/8	—	—	5/8	3/4	7/8	1	1 1/8	1 3/16	1 1/4	—	9.81
IDC-35B28F	28	3.550	7/8	—	—	5/8	3/4	7/8	1	1 1/8	1 3/16	1 1/4	—	10.23
IDC-35B30F	30	3.790	7/8	—	—	5/8	3/4	7/8	1	1 1/8	1 3/16	1 1/4	—	10.95

* Indicates no keyway.

**Keyway with set screw at 90.

#40 Chain (1/2 Pitch)

Cat. No.	No. of Teeth	OD	Width	Available Bore Range								Price Each			
IDC-40B9F	9	1.670	7/8	1/2*	5/8	—	—	—	—	—	—	—	—	4.14	
IDC-40B10F	10	1.840	7/8	1/2*	5/8	3/4	—	—	—	—	—	—	—	4.62	
IDC-40B11F	11	2.000	7/8	1/2*	5/8	3/4	7/8	—	—	—	—	—	—	4.65	
IDC-40B12F	12	2.170	7/8	1/2*	5/8	3/4	7/8	1	—	—	—	—	—	5.01	
IDC-40B13F	13	2.330	7/8	1/2*	5/8	3/4	7/8	1	—	—	—	—	—	5.58	
IDC-40B14F	14	2.490	7/8	1/2*	5/8	3/4	7/8	1	1 1/8	—	—	—	—	6.09	
IDC-40B15F	15	2.650	7/8	1/2*	5/8	3/4	7/8	1	1 1/8	1 3/16	1 1/4	—	—	6.45	
IDC-40B16F	16	2.810	1	—	5/8	3/4	7/8	1	1 1/8	1 3/16	1 1/4	—	—	6.93	
IDC-40B17F	17	2.980	1	—	5/8	3/4	7/8	1	1 1/8	1 3/16	1 1/4	—	—	7.68	
IDC-40B18F	18	3.140	1	—	5/8	3/4	7/8	1	1 1/8	1 3/16	1 1/4	1 3/8	1 7/16	1 1/2	8.40
IDC-40B19F	19	3.300	1	—	5/8	3/4	7/8	1	1 1/8	1 3/16	1 1/4	1 3/8	1 7/16	1 1/2	9.09
IDC-40B20F	20	3.460	1	—	5/8	3/4	7/8	1	1 1/8	1 3/16	1 1/4	1 3/8	1 7/16	1 1/2	9.81
IDC-40B21F	21	3.620	1	—	5/8	3/4	7/8	1	1 1/8	1 3/16	1 1/4	1 3/8	1 7/16	1 1/2	10.23
IDC-40B22F	22	3.780	1	—	5/8	3/4	7/8	1	1 1/8	1 3/16	1 1/4	1 3/8	1 7/16	1 1/2	11.07
IDC-40B23F	23	3.940	1	—	5/8	3/4	7/8	1	1 1/8	1 3/16	1 1/4	1 3/8	1 7/16	1 1/2	11.49
IDC-40B24F	24	4.100	1	—	5/8	3/4	7/8	1	1 1/8	1 3/16	1 1/4	1 3/8	1 7/16	1 1/2	12.27
IDC-40B25F	25	4.260	1	—	5/8	3/4	7/8	1	1 1/8	1 3/16	1 1/4	—	1 7/16	1 1/2	12.69
IDC-40B26F	26	4.420	1	—	5/8	3/4	7/8	1	1 1/8	1 3/16	1 1/4	—	1 7/16	1 1/2	13.65
IDC-40B27F	27	4.580	1	—	5/8	3/4	7/8	1	1 1/8	1 3/16	1 1/4	—	1 7/16	1 1/2	14.01
IDC-40B28F	28	4.740	1	—	5/8	3/4	7/8	1	1 1/8	1 3/16	1 1/4	—	1 7/16	1 1/2	14.19
IDC-40B29F	29	4.900	1	—	5/8	3/4	7/8	1	1 1/8	1 3/16	1 1/4	—	1 7/16	1 1/2	15.60
IDC-40B30F	30	5.060	1	—	5/8	3/4	7/8	1	1 1/8	1 3/16	1 1/4	—	1 7/16	1 1/2	16.59
IDC-40B31F	31	5.220	1	—	5/8	3/4	7/8	1	1 1/8	1 3/16	1 1/4	—	1 7/16	1 1/2	18.24
IDC-40B32F	32	5.380	1	—	5/8	3/4	7/8	1	1 1/8	1 3/16	1 1/4	—	1 7/16	1 1/2	18.87
IDC-40B33F	33	5.540	1	—	5/8	3/4	7/8	1	1 1/8	1 3/16	1 1/4	—	1 7/16	1 1/2	19.32
IDC-40B34F	34	5.700	1	—	5/8	3/4	7/8	1	1 1/8	1 3/16	1 1/4	—	1 7/16	1 1/2	19.89
IDC-40B35F	35	5.860	1	—	5/8	3/4	7/8	1	1 1/8	1 3/16	1 1/4	—	1 7/16	1 1/2	21.45

*Indicates no keyway.

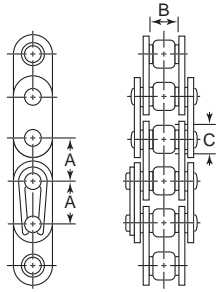
#41 Chain (1/2 Pitch)

Cat. No.	No. of Teeth	OD	Width	Available Bore Range								Price Each		
IDC-41B9F	9	1.670	7/8	1/2*	5/8	—	—	—	—	—	—	—	—	4.14
IDC-41B10F	10	1.840	7/8	1/2*	5/8	—	—	—	—	—	—	—	—	4.62
IDC-41B11F	11	2.000	7/8	1/2*	5/8	3/4	—	—	—	—	—	—	—	4.65
IDC-41B12F	12	2.170	7/8	1/2*	5/8	3/4	7/8	—	—	—	—	—	—	5.01
IDC-41B13F	13	2.330	7/8	1/2*	5/8	3/4	7/8	1	—	—	—	—	—	5.58
IDC-41B14F	14	2.490	7/8	1/2*	5/8	3/4	7/8	1	—	—	—	—	—	6.09
IDC-41B15F	15	2.650	7/8	1/2*	5/8	3/4	—	1	—	—	—	—	—	6.45
IDC-41B16F	16	2.810	7/8	—	5/8	3/4	—	1	—	—	—	—	—	6.93
IDC-41B17F	17	2.980	1	—	5/8	3/4	—	1	—	—	—	—	—	7.68
IDC-41B18F	18	3.140	1	—	5/8	3/4	—	1	—	—	—	—	—	8.40
IDC-41B19F	19	3.300	1	—	5/8	3/4	—	1	—	—	—	—	—	9.09
IDC-41B20F	20	3.460	1	—	5/8	3/4	—	1	—	—	—	—	—	9.81
IDC-41B21F	21	3.620	1	—	5/8	3/4	—	1	—	—	—	—	—	10.23
IDC-41B22F	22	3.780	1	—	5/8	3/4	—	1	—	—	—	—	—	11.07
IDC-41B23F	23	3.940	1	—	5/8	3/4	—	1	—	—	—	—	—	11.49
IDC-41B24F	24	4.100	1	—	5/8	3/4	—	1	—	—	—	—	—	11.95
IDC-41B25F	25	4.260	1	—	5/8	3/4	—	1	—	—	—	—	—	12.69
IDC-41B26F	26	4.420	1	—	5/8	3/4	—	1	—	—	—	—	—	13.65
IDC-41B27F	27	4.580	1	—	5/8	3/4	—	1	—	—	—	—	—	14.01
IDC-41B28F	28	4.740	1	—	5/8	3/4	—	1	—	—	—	—	—	14.19
IDC-41B30F	30	5.060	1	—	5/8	3/4	—	1	—	—	—	—	—	16.59

*Indicates no keyway.

Note: (2) 1/4" set screws only in 1/2 bore and 3/8 bore. Hub diameters may vary to suit different bore sizes. Keyway is on center line of tooth.

ROLLER CHAIN



Made in accordance with ANSI B29.1 standards. Designed and built to provide maximum strength and wear life. Wide waist link plates for greater strength and fatigue resistance. Solid cold forged bushings. Solid rollers. Anti-collapse bushing design.



Single and Double Strand ANSI Roller Chain

Chain No.	Pitch A	Roller Width B	Roller Diameter C	Tensile Strength Min. Lbs.	Roller Chain (10 Feet/Box)				Extra Chain Links			
					Riveted		Cottered		Connecting Links		Offset Link	
					Cat. No.	Price Each	Cat. No.	Price Each	Cat. No.	Price Each	Cat. No.	Price Each
ANSI Standard Roller Chains - Single Strand												
25	0.250	0.122	0.130	780	REN-1	5.52	—	—	REN-23	1.80	REN-36	4.39
35	0.375	0.184	0.200	1,760	REN-2	5.51	—	—	REN-24	1.31	REN-37	2.69
40	0.500	0.309	0.312	3,125	REN-3	6.07	—	—	REN-25	1.28	REN-38	3.11
50	0.625	0.370	0.400	4,880	REN-4	7.38	—	—	REN-26	1.72	REN-39	3.81
60	0.750	0.495	0.469	7,030	REN-5	9.82	REN-14	17.63	REN-27	2.12	REN-40	5.00
80	1.000	0.620	0.625	12,500	REN-6	20.67	REN-15	24.28	REN-28	3.35	REN-41	9.94
100	1.250	0.744	0.750	19,530	REN-7	32.89	REN-16	36.57	REN-29	5.54	REN-42	16.16
120	1.500	0.993	0.875	28,125	REN-8	49.43	REN-17	53.21	REN-30	8.41	REN-43	20.06
140	1.750	0.993	1.000	38,280	REN-9	60.45	REN-18	63.87	REN-31	12.65	REN-44	27.41
160	2.000	1.242	1.125	50,000	REN-10	69.30	REN-19	75.26	REN-32	17.56	REN-45	42.08
180	2.250	1.397	1.406	63,280	REN-11	127.13	REN-20	136.13	REN-33	31.68	REN-46	85.10
200	2.500	1.490	1.562	78,125	REN-12	149.74	REN-21	149.06	REN-34	42.72	REN-47	102.83
240	3.000	1.864	1.875	112,500	REN-13	230.12	REN-22	236.46	REN-35	99.65	REN-48	226.51
ANSI Standard Roller Chains - Double Strand												
35-2	0.375	0.184	0.200	3,520	REN-49	12.59	—	—	REN-69	2.91	REN-81	6.57
40-2	0.500	0.309	0.312	6,250	REN-50	19.03	—	—	REN-70	3.13	REN-82	9.04
50-2	0.625	0.370	0.400	9,760	REN-51	21.76	—	—	REN-71	3.85	REN-83	10.58
60-2	0.750	0.495	0.469	14,060	REN-52	32.99	REN-60	38.24	REN-72	4.73	REN-84	11.79
80-2	1.000	0.620	0.625	25,000	REN-53	58.67	REN-61	64.93	REN-73	8.19	REN-85	22.71
100-2	1.250	0.744	0.750	39,060	REN-54	94.98	REN-62	98.35	REN-74	13.12	REN-86	36.44
120-2	1.500	0.993	0.875	56,250	REN-55	110.06	REN-63	114.27	REN-75	18.84	REN-87	46.78
140-2	1.750	0.993	1.000	76,560	REN-56	135.40	REN-64	137.14	REN-76	27.71	REN-88	60.06
160-2	2.000	1.242	1.125	100,000	REN-57	168.23	REN-65	168.72	REN-77	38.33	REN-89	92.04
180-2	2.250	1.397	1.406	126,560	—	—	REN-66	285.86	REN-78	66.19	REN-90	177.50
200-2	2.500	1.490	1.562	156,250	REN-58	334.82	REN-67	346.55	REN-79	92.20	REN-91	206.25
240-2	3.000	1.864	1.875	225,000	REN-59	523.70	REN-68	535.70	REN-80	218.66	REN-92	492.43

Note: Stainless steel also available



Heavy Series ANSI Roller Chain

Chain No.	Pitch A	Roller Width B	Roller Diameter C	Tensile Strength Min. Lbs.	Roller Chain (10 Feet/Box)				Extra Chain Links			
					Riveted		Cottered		Connecting Links		Offset Link	
					Cat. No.	Price Each	Cat. No.	Price Each	Cat. No.	Price Each	Cat. No.	Price Each
Single Strand												
60H	0.750	0.495	0.469	7,030	REN-93	15.09	REN-100	22.32	REN-108	2.94	REN-116	6.07
80H	1.000	0.620	0.625	12,500	REN-94	28.08	REN-101	32.17	REN-109	4.45	REN-117	11.00
100H	1.250	0.744	0.750	19,530	REN-95	44.72	REN-102	47.32	REN-110	7.65	REN-118	18.02
120H	1.500	0.993	0.875	28,125	REN-96	58.85	REN-103	63.32	REN-111	12.11	REN-119	25.67
140H	1.750	0.993	1.000	38,280	REN-97	72.62	REN-104	76.10	REN-112	17.35	REN-120	37.53
160H	2.000	1.242	1.125	50,000	REN-98	84.76	REN-105	89.94	REN-113	23.81	REN-121	57.44
180H	2.250	1.397	1.406	63,280	—	—	REN-106	170.12	REN-114	46.37	REN-122	101.22
200H	2.500	1.490	1.562	78,125	REN-99	187.96	REN-107	192.32	REN-115	62.47	REN-123	152.47
Double Strand												
60H-2	0.750	0.495	0.469	14,060	REN-124	42.26	REN-127	56.43	REN-135	6.56	REN-143	14.00
80H-2	1.000	0.620	0.625	25,000	REN-125	76.49	REN-128	87.35	REN-136	11.53	REN-144	25.16
100H-2	1.250	0.744	0.750	39,060	REN-126	123.32	REN-129	127.96	REN-137	17.84	REN-145	38.11
120H-2	1.500	0.993	0.875	56,250	—	—	REN-130	182.87	REN-138	27.41	REN-146	58.66
140H-2	1.750	0.993	1.000	6,560	—	—	REN-131	177.41	REN-139	42.14	REN-147	85.34
160H-2	2.000	1.242	1.125	100,000	—	—	REN-132	191.34	REN-140	57.17	REN-148	130.64
180H-2	2.250	1.397	1.406	126,560	—	—	REN-133	383.99	REN-141	87.32	REN-149	201.83
200H-2	2.500	1.490	1.562	156,250	—	—	REN-134	516.13	REN-142	142.65	REN-150	344.18

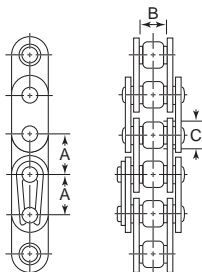


Conveyor Series Double Pitch ANSI Roller Chain

Chain No.	Pitch A	Roller Width B	Roller Diameter C	Tensile Strength Min. Lbs.	Roller Chain (10 Feet/Box)				Extra Chain Links			
					Riveted		Cottered		Connecting Links		Offset Link	
					Cat. No.	Price Each	Cat. No.	Price Each	Cat. No.	Price Each	Cat. No.	Price Each
Double Pitch Standard Rollers												
C2040	1.000	0.309	0.312	3,125	REN-151	6.76	REN-158	2.10	REN-165	3.84		
C2050	1.250	0.370	0.400	4,880	REN-152	8.18	REN-159	2.50	REN-166	5.27		
C2060H	1.500	0.495	0.469	7,030	REN-153	12.30	REN-160	3.58	REN-167	7.19		
C2080H	2.000	0.620	0.625	12,500	REN-154	22.87	REN-161	6.12	REN-168	13.52		
C2100H	2.500	0.744	0.750	19,530	REN-155	37.76	REN-162	4.98	REN-169	21.95		
C2120H	3.000	0.993	0.875	28,125	REN-156	53.54	REN-163	19.37	REN-170	37.07		
C2160H	4.000	1.242	1.125	50,000	REN-157	90.92	REN-164	37.47	REN-171	79.85		
Double Pitch Large Rollers												
C2042	1.000	0.309	0.625	3,125	REN-172	14.31	REN-158	2.10	REN-186	5.33		
C2052	1.250	0.370	0.750	4,880	REN-173	15.93	REN-159	2.50	REN-187	6.86		
C2062H	1.500	0.495	0.875	7,030	REN-174	24.41	REN-160	3.58	REN-188	9.45		
C2082H	2.000	0.620	1.124	12,500	REN-175	35.78	REN-161	6.12	REN-189	15.11		
C2102H	2.500	0.744	1.562	19,530	REN-176	62.09	REN-162	4.98	REN-190	29.21		
C2122H	3.000	0.993	1.750	28,125	REN-177	90.71	REN-163	19.37	REN-191	48.23		
C2162H	4.000	1.242	2.250	50,000	REN-178	139.97	REN-164	37.47	REN-192	103.20		

ROLLER CHAIN

Syno™ Self Lube ANSI Roller Chain



ANSI 40 to 100 and C2040 to C2080. Self-lubricating chain with food industry approved lubricant and roller coating. Dry to the touch chain exterior. Improved electroless nickel-plating on plates resists chipping and peeling. For use in non-lubricated or hygiene sensitive applications where contamination from lubricant is to be avoided.

Chain No.	Pitch A	Roller Width B	Roller Diameter C	Tensile Strength Min. Lbs.	Roller Chain (10 Feet/Box)		Extra Chain Links			
					Riveted Cat. No.	Price Each	Connecting Links		Offset Link	
Single Strand Chain Small Pitch										
40SYNO	0.500	0.309	0.312	3,125	REN-283	29.04	REN-288	4.49	REN-293	10.88
50SYNO	0.625	0.370	0.400	4,880	REN-284	34.58	REN-289	5.99	REN-294	13.32
60SYNO	0.750	0.495	0.469	7,030	REN-285	45.27	REN-290	7.44	REN-295	16.03
80SYNO	1.000	0.620	0.625	12,500	REN-286	70.43	REN-291	11.71	REN-296	27.32
100SYNO	1.250	0.744	0.750	19,530	REN-287	97.80	REN-292	19.38	REN-297	41.74
Double Strand Chain Small Pitch										
40-2SYNO	0.500	0.309	0.312	6,250	REN-298	64.64	REN-303	10.18	REN-308	21.50
50-2SYNO	0.625	0.370	0.400	9,760	REN-299	76.85	REN-304	13.50	REN-309	28.21
60-2SYNO	0.750	0.495	0.469	14,060	REN-300	100.64	REN-305	16.53	REN-310	38.21
80-2SYNO	1.000	0.620	0.625	25,000	REN-301	156.48	REN-306	25.15	REN-311	60.53
100-2SYNO	1.250	0.744	0.750	39,060	REN-302	206.91	REN-307	35.91	REN-312	94.53
Double Pitch Conveyor Chain										
C2040SYNO	1.000	0.309	0.312	3,125	REN-313	19.30	REN-317	7.35	REN-321	11.97
C2050SYNO	1.250	0.370	0.400	4,880	REN-314	23.90	REN-318	8.74	REN-322	15.74
C2060SYNO	1.500	0.495	0.469	7,030	REN-315	35.55	REN-319	10.03	REN-323	22.91
C2080SYNO	2.000	0.620	0.625	12,500	REN-316	61.51	REN-320	18.44	REN-324	42.26

ANSI 120 to 200. Revolutionary polymer bushing removes the need for chain lubrication. Heavy-duty polymer rollers contend with high loads. Specially coated plates offer superior corrosion resistance for washdown and wet environments. Completely lube-free and dry to the touch.

Chain No.	Pitch A	Roller Width B	Roller Diameter C	Tensile Strength Min. Lbs.	Roller Chain (10 Feet/Box)		Extra Chain Links			
					Riveted Cat. No.	Price Each	Connecting Links		Offset Link	
Single Strand Chain Large Pitch										
120SYNO	1.500	0.993	0.875	28,125	REN-325	195.08	REN-329	33.06	REN-339	77.72
140SYNO	1.750	0.993	1.000	38,280	REN-326	230.48	REN-330	47.21	REN-340	108.90
160SYNO	2.000	1.242	1.125	50,000	REN-327	255.75	REN-331	69.02	REN-341	150.63
200SYNO	2.500	1.490	1.562	78,125	REN-328	495.78	REN-332	165.54	REN-342	362.41
Double Strand Chain Large Pitch										
120-2SYNO	1.500	0.993	0.875	56,250	REN-333	384.71	REN-337	77.72	REN-343	194.53
140-2SYNO	1.750	0.993	1.000	76,560	REN-334	483.17	REN-338	108.90	REN-344	273.26
160-2SYNO	2.000	1.242	1.125	100,000	REN-335	630.60	REN-339	150.63	REN-345	381.06
200-2SYNO	2.500	1.490	1.562	156,250	REN-336	1219.07	REN-340	362.41	REN-346	912.53

Synergy™ Chain



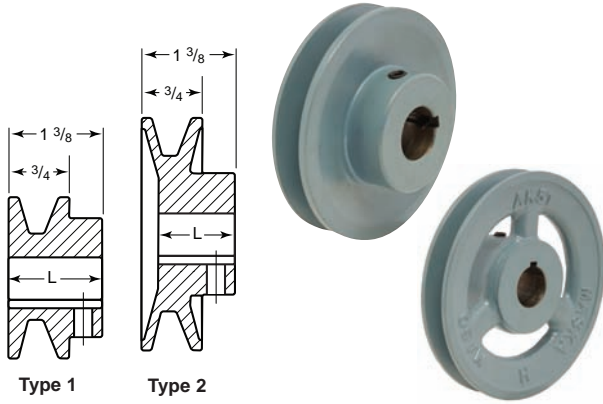
As seen in photo above, platinum colored connecting links are easy to identify in chain.

Unique pin and bushing design extends wear life by up to six times longer than other competitive chains. Supplied virtually dry to the touch for easy installation, but should be lubricated in application. End softened pins allow for quick and easy disassembly without damaging the chain.

Chain No.	Pitch A	Roller Width B	Roller Diameter C	Tensile Strength Min. Lbs.	Roller Chain (10 Feet/Box)		Extra Chain Links			
					Riveted Cat. No.	Price Each	Connecting Links		Offset Link	
Single Strand										
35SYN	0.375	0.184	0.200	1,760	REN-341	14.90	REN-350	4.16	REN-359	8.60
40SYN	0.500	0.309	0.312	3,125	REN-342	17.17	REN-351	4.05	REN-360	12.38
50SYN	0.625	0.370	0.400	4,880	REN-343	20.81	REN-352	6.44	REN-361	13.13
60SYN	0.750	0.495	0.469	7,030	REN-344	27.59	REN-353	11.54	REN-362	14.94
80SYN	1.000	0.620	0.625	12,500	REN-345	56.24	REN-354	11.59	REN-363	23.84
100SYN	1.250	0.744	0.750	19,530	REN-346	88.26	REN-355	19.13	REN-364	47.12
120SYN	1.500	0.993	0.875	28,125	REN-347	132.83	REN-356	28.00	REN-365	64.16
140SYN	1.750	0.993	1.000	38,280	REN-348	159.98	REN-357	43.02	REN-366	93.20
160SYN	2.000	1.242	1.125	50,000	REN-349	194.04	REN-358	59.69	REN-367	143.05
Double Strand										
35-2SYN	0.375	0.184	0.200	3,520	REN-368	33.79	REN-377	10.34	REN-386	27.78
40-2SYN	0.500	0.309	0.312	6,250	REN-369	41.41	REN-378	10.69	REN-387	23.03
50-2SYN	0.625	0.370	0.400	9,760	REN-370	50.55	REN-379	13.25	REN-388	30.50
60-2SYN	0.750	0.495	0.469	14,060	REN-371	66.11	REN-380	15.78	REN-389	33.56
80-2SYN	1.000	0.620	0.625	25,000	REN-372	130.08	REN-381	22.82	REN-390	51.41
100-2SYN	1.250	0.744	0.750	39,060	REN-373	210.41	REN-382	45.47	REN-391	106.34
120-2SYN	1.500	0.993	0.875	56,250	REN-374	309.58	REN-383	62.22	REN-392	135.00
140-2SYN	1.750	0.993	1.000	76,560	REN-375	361.88	REN-384	94.24	REN-393	204.21
160-2SYN	2.000	1.242	1.125	100,000	REN-376	471.05	REN-385	130.31	REN-394	312.96

V-BELT PULLEYS

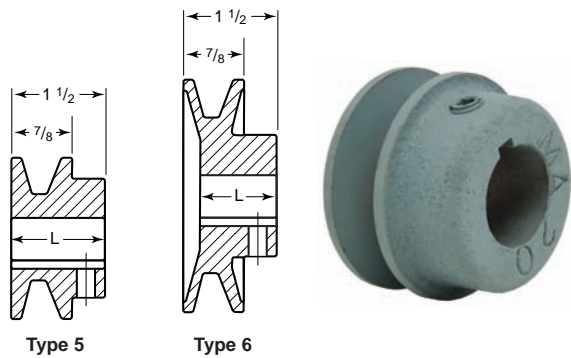
Light Duty Fixed Bore (A & 3L-4L V-Belts)



Cat. No.	Bore Size	Datum Diameter		O.D.	Type	L	Approx. Weight	Price Each
		3L Belts	A (4L) Belts					
MSK-MA20X12	1/2	1.41	1.75	2	1B	1 3/8	0.7	5.84
MSK-MA20X58	5/8	1.41	1.75	2	1B	1 3/8	0.7	5.84
MSK-MA20X78	7/8	1.41	1.75	2	1B	1 3/8	0.7	5.84
MSK-MA25X12	1/2	1.91	2.25	2.5	2B	1 1/4	0.9	6.73
MSK-MA25X58	5/8	1.91	2.25	2.5	2B	1 1/4	0.9	6.73
MSK-MA25X78	7/8	1.91	2.25	2.5	2B	1 1/4	0.9	6.73
MSK-MA30X12	1/2	2.46	2.8	3.05	2B	1 1/4	1.2	8.33
MSK-MA30X58	5/8	2.46	2.8	3.05	2B	1 1/4	1.2	8.33
MSK-MA30X78	7/8	2.46	2.8	3.05	2B	1 1/4	1.2	8.33
MSK-MA35X12	1/2	2.86	3.2	3.45	2B	1 1/4	1.4	9.34
MSK-MA35X58	5/8	2.86	3.2	3.45	2B	1 1/4	1.4	9.34
MSK-MA35X78	7/8	2.86	3.2	3.45	2B	1 1/4	1.4	9.34
MSK-MA40X12	1/2	3.36	3.7	3.95	2W	1 1/8	2	13.44
MSK-MA40X58	5/8	3.36	3.7	3.95	2W	1 1/8	2	13.44
MSK-MA40X78	7/8	3.36	3.7	3.95	2W	1 1/8	2	13.44
MSK-MA45X12	1/2	3.86	4.2	4.45	2W	1 1/8	2	14.42
MSK-MA45X58	5/8	3.86	4.2	4.45	2W	1 1/8	2	14.42
MSK-MA45X78	7/8	3.86	4.2	4.45	2W	1 1/8	2	14.42
MSK-MA50X12	1/2	4.36	4.7	4.95	1A	1 3/8	2	15.38
MSK-MA50X58	5/8	4.36	4.7	4.95	1A	1 3/8	2	15.38
MSK-MA50X78	7/8	4.36	4.7	4.95	1A	1 3/8	2	15.38

Note: Other bore sizes are available. Please call for details.
T=Type. Suffix indicates construction: A=Arm; B=Block; W=Web

Light Duty Fixed Bore (A(4L) & B(5L) V-Belts)

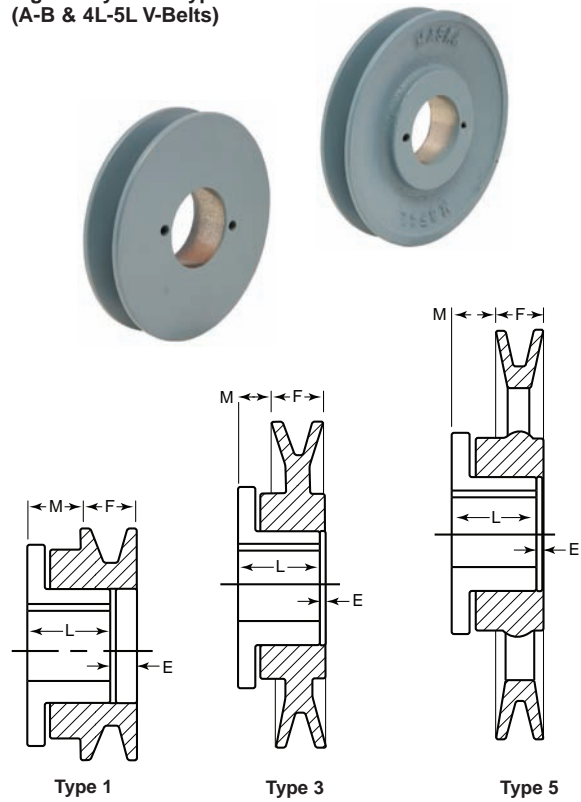


Cat. No.	Bore Size	Datum Diameter		O.D.	Type	L	Approx. Weight	Price Each
		3L Belts	A (4L) Belts					
MSK-MB20X12	1/2*	1.25	1.65	2	5B	1 1/2	0.5	7.89
MSK-MB20X58	5/8*	1.25	1.65	2	5B	1 1/2	0.5	7.89
MSK-MB20X34	3/4*	1.25	1.65	2	5B	1 1/2	0.5	7.89
MSK-MB25X12	1/2	1.75	2.15	2.5	5B	1 1/2	1	8.42
MSK-MB25X58	5/8	1.75	2.15	2.5	5B	1 1/2	1	8.42
MSK-MB25X78	7/8	1.75	2.15	2.5	5B	1 1/2	1	8.42
MSK-MB30X12	1/2	2.2	2.6	2.95	6B	1 3/8	1	9.26
MSK-MB30X58	5/8	2.2	2.6	2.95	6B	1 3/8	1	9.26
MSK-MB30X78	7/8	2.2	2.6	2.95	6B	1 3/8	1	9.26
MSK-MB35X12	1/2	2.8	3.2	3.55	6B	1 3/8	1.5	12.68
MSK-MB35X58	5/8	2.8	3.2	3.55	6B	1 3/8	1.5	12.68
MSK-MB35X78	7/8	2.8	3.2	3.55	6B	1 3/8	1.5	12.68
MSK-MB40X12	1/2	3.2	3.6	3.95	6B	1 1/4	2	14.42
MSK-MB40X58	5/8	3.2	3.6	3.95	6B	1 1/4	2	14.42
MSK-MB40X78	7/8	3.2	3.6	3.95	6B	1 1/4	2	14.42
MSK-MB45X12	1/2	3.7	4.1	4.45	6W	1 1/4	2	15.94
MSK-MB45X58	5/8	3.7	4.1	4.45	6W	1 1/4	2	15.94
MSK-MB45X78	7/8	3.7	4.1	4.45	6W	1 1/4	2	15.94
MSK-MB50X12	1/2	4.2	4.6	4.95	5W	1 1/2	2.5	16.22
MSK-MB50X58	5/8	4.2	4.6	4.95	5W	1 1/2	2.5	16.22
MSK-MB50X78	7/8	4.2	4.6	4.95	5W	1 1/2	2.5	16.22

*Do not use "A" or "4L" belt with these specific bores

Note: Other bore sizes are available. Please call for details.
T=Type. Suffix indicates construction: A=Arm; B=Block; W=Web

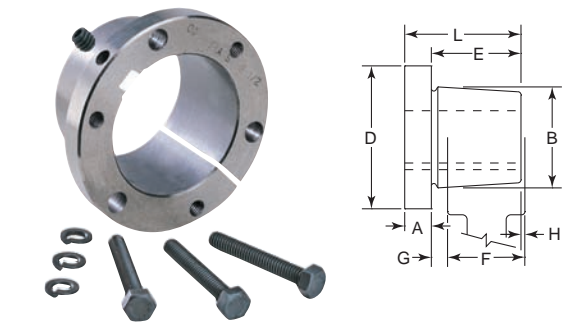
Light Duty Bush Type (A-B & 4L-5L V-Belts)



Cat. No.	Datum Diameter		O.D.	Type	E	F	L	M	Weight (Lbs.)	Price Each
	A(4L)	B(5L)								
MSK-MBL31	2.4	2.8	3.15	1B	17/32	29/32	1 11/32	63/64	1.25	14.22
MSK-MBL33	2.6	3	3.35	1B	17/32	29/32	1 11/32	63/64	1.4	15.13
MSK-MBL35	2.8	3.2	3.55	1B	17/32	29/32	1 11/32	63/64	1.65	15.16
MSK-MBL37	3	3.4	3.75	1B	3/32	29/32	1 11/32	17/32	1.4	15.27
MSK-MBL39	3.2	3.6	3.95	1B	3/32	29/32	1 11/32	17/32	1.7	15.31
MSK-MBL44	3.7	4.1	4.45	1B	3/32	29/32	1 11/32	17/32	2.35	15.98
MSK-MBL47	4	4.4	4.75	3W	3/32	29/32	1 11/32	17/32	1.95	16.35
MSK-MBL49	4.2	4.6	4.95	3W	3/32	29/32	1 11/32	17/32	2.4	16.69
MSK-MBL54	4.7	5.1	5.45	3W	3/32	29/32	1 11/32	17/32	2.9	17.36
MSK-MBL57	5	5.4	5.75	5A	3/32	29/32	1 11/32	17/32	2.45	17.56
MSK-MBL59	5.2	5.6	5.95	5A	3/32	29/32	1 11/32	17/32	2.8	18.50
MSK-MBL64	5.7	6.1	6.45	5A	3/32	29/32	1 11/32	17/32	2.8	20.31
MSK-MBL69	6.2	6.6	6.95	5A	3/32	29/32	1 11/32	17/32	3.6	21.99
MSK-MBL77	7	7.4	7.75	5A	3/32	29/32	1 11/32	17/32	3.8	23.59
MSK-MBL87	8	8.4	8.75	5A	3/32	29/32	1 11/32	17/32	5.1	27.87
MSK-MBL97	9	9.4	9.75	5A	3/32	29/32	1 11/32	17/32	5.8	31.12
MSK-MBL107	10	10.4	10.75	5A	3/32	29/32	1 11/32	17/32	5.85	34.22
MSK-MBL127	12	12.4	12.75	5A	3/32	29/32	1 11/32	17/32	7.9	41.44

Note: T=Type. Suffix indicates construction: A=Arm; B=Block; W=Web

QD Bushings



Cat. No.	Bore Size	A	B	D	E	F	G	H	L	Bolt Circle M	Price Each
MSK-L12	1/2	1 1/32	1 5/8	2 1/2	1	29/32	3/16	3/32	1 11/32	2	6.10
MSK-L58	5/8	1 1/32	1 5/8	2 1/2	1	29/32	3/16	3/32	1 11/32	2	6.10
MSK-L34	3/4	1 1/32	1 5/8	2 1/2	1	29/32	3/16	3/32	1 11/32	2	6.10
MSK-L78	7/8	1 1/32	1 5/8	2 1/2	1	29/32	3/16	3/32	1 11/32	2	6.10
MSK-L1	1	1 1/32	1 5/8	2 1/2	1	29/32	3/16	3/32	1 11/32	2	6.10
MSK-L1-18	1 1/8	1 1/32	1 5/8	2 1/2	1	29/32	3/16	3/32	1 11/32	2	6.10
MSK-L1-14	1 1/4	1 1/32	1 5/8	2 1/2	1	29/32	3/16	3/32	1 11/32	2	6.10
MSK-L1-38	1 3/8	1 1/32	1 5/8	2 1/2	1	29/32	3/16	3/32	1 11/32	2	6.10
MSK-L1-316	1 3/16	1 1/32	1 5/8	2 1/2	1	29/32	3/16	3/32	1 11/32	2	6.10

INDUSTRIAL V-BELTS

Single Classical Premium Notched



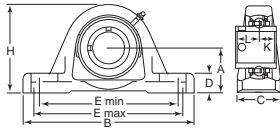
Cat. No.	Belt No.	Belt Lgth. (Inch)	Price Each	Cat. No.	Belt No.	Belt Lgth. (Inch)	Price Each	Cat. No.	Belt No.	Belt Lgth. (Inch)	Price Each	Cat. No.	Belt No.	Belt Lgth. (Inch)	Price Each
AX Type (1/2" Top Width by 5/16" Thick)															
BTQ-AX20	AX20	22	4.64	BTQ-AX39	AX39	41	6.82	BTQ-AX58	AX58	60	9.05	BTQ-AX77	AX77	79	11.28
BTQ-AX21	AX21	23	4.75	BTQ-AX40	AX40	42	6.93	BTQ-AX59	AX59	61	9.17	BTQ-AX78	AX78	80	11.40
BTQ-AX22	AX22	24	4.86	BTQ-AX41	AX41	43	7.05	BTQ-AX60	AX60	62	9.28	BTQ-AX79	AX79	81	11.52
BTQ-AX23	AX23	25	4.97	BTQ-AX42	AX42	44	7.17	BTQ-AX61	AX61	63	9.40	BTQ-AX80	AX80	82	11.63
BTQ-AX24	AX24	26	5.09	BTQ-AX43	AX43	45	7.28	BTQ-AX62	AX62	64	9.52	BTQ-AX81	AX81	83	11.75
BTQ-AX25	AX25	27	5.20	BTQ-AX44	AX44	46	7.41	BTQ-AX63	AX63	65	9.63	BTQ-AX82	AX82	84	11.87
BTQ-AX26	AX26	28	5.32	BTQ-AX45	AX45	47	7.52	BTQ-AX64	AX64	66	9.75	BTQ-AX83	AX83	85	11.99
BTQ-AX27	AX27	29	5.43	BTQ-AX46	AX46	48	7.64	BTQ-AX65	AX65	67	9.87	BTQ-AX84	AX84	86	12.11
BTQ-AX28	AX28	30	5.54	BTQ-AX47	AX47	49	7.75	BTQ-AX66	AX66	68	9.99	BTQ-AX85	AX85	87	12.22
BTQ-AX29	AX29	31	5.66	BTQ-AX48	AX48	50	7.87	BTQ-AX67	AX67	69	10.11	BTQ-AX86	AX86	88	12.34
BTQ-AX30	AX30	32	5.77	BTQ-AX49	AX49	51	7.99	BTQ-AX68	AX68	70	10.22	BTQ-AX87	AX87	89	12.46
BTQ-AX31	AX31	33	5.89	BTQ-AX50	AX50	52	8.10	BTQ-AX69	AX69	71	10.34	BTQ-AX88	AX88	90	12.58
BTQ-AX32	AX32	34	6.00	BTQ-AX51	AX51	53	8.23	BTQ-AX70	AX70	72	10.46	BTQ-AX89	AX89	91	12.70
BTQ-AX33	AX33	35	6.12	BTQ-AX52	AX52	54	8.34	BTQ-AX71	AX71	73	10.58	BTQ-AX90	AX90	92	12.82
BTQ-AX34	AX34	36	6.24	BTQ-AX53	AX53	55	8.46	BTQ-AX72	AX72	74	10.69	BTQ-AX91	AX91	93	12.93
BTQ-AX35	AX35	37	6.35	BTQ-AX54	AX54	56	8.58	BTQ-AX73	AX73	75	10.81	BTQ-AX92	AX92	94	13.05
BTQ-AX36	AX36	38	6.47	BTQ-AX55	AX55	57	8.70	BTQ-AX74	AX74	76	10.93	BTQ-AX93	AX93	95	13.17
BTQ-AX37	AX37	39	6.59	BTQ-AX56	AX56	58	8.81	BTQ-AX75	AX75	77	11.05				
BTQ-AX38	AX38	40	6.70	BTQ-AX57	AX57	59	8.93	BTQ-AX76	AX76	78	11.16				
BX Type (5/8" Top Width by 1/32" Thick)															
BTQ-BX30	BX30	33	8.99	BTQ-BX51	BX51	54	12.55	BTQ-BX72	BX72	75	16.12	BTQ-BX93	BX93	96	19.70
BTQ-BX31	BX31	34	9.16	BTQ-BX52	BX52	55	12.71	BTQ-BX73	BX73	76	16.29	BTQ-BX94	BX94	97	19.87
BTQ-BX32	BX32	35	9.33	BTQ-BX53	BX53	56	12.89	BTQ-BX74	BX74	77	16.45	BTQ-BX95	BX95	98	20.04
BTQ-BX33	BX33	36	9.50	BTQ-BX54	BX54	57	13.05	BTQ-BX75	BX75	78	16.62	BTQ-BX96	BX96	99	20.20
BTQ-BX34	BX34	37	9.66	BTQ-BX55	BX55	58	13.23	BTQ-BX76	BX76	79	16.80	BTQ-BX97	BX97	100	20.37
BTQ-BX35	BX35	38	9.83	BTQ-BX56	BX56	59	13.39	BTQ-BX77	BX77	80	16.97	BTQ-BX98	BX98	101	20.54
BTQ-BX36	BX36	39	10.00	BTQ-BX57	BX57	60	13.56	BTQ-BX78	BX78	81	17.15	BTQ-BX100	BX100	103	20.89
BTQ-BX37	BX37	40	10.17	BTQ-BX58	BX58	61	13.73	BTQ-BX79	BX79	82	17.30	BTQ-BX103	BX103	106	21.41
BTQ-BX38	BX38	41	10.34	BTQ-BX59	BX59	62	13.90	BTQ-BX80	BX80	83	17.48	BTQ-BX105	BX105	108	21.73
BTQ-BX39	BX39	42	10.50	BTQ-BX60	BX60	63	14.08	BTQ-BX81	BX81	84	17.65	BTQ-BX108	BX108	111	22.25
BTQ-BX40	BX40	43	10.67	BTQ-BX61	BX61	64	14.24	BTQ-BX82	BX82	85	17.82	BTQ-BX112	BX112	115	22.94
BTQ-BX41	BX41	44	10.85	BTQ-BX62	BX62	65	14.41	BTQ-BX83	BX83	86	18.00	BTQ-BX113	BX113	116	23.12
BTQ-BX42	BX42	45	11.02	BTQ-BX63	BX63	66	14.59	BTQ-BX84	BX84	87	18.15	BTQ-BX115	BX115	118	23.44
BTQ-BX43	BX43	46	11.19	BTQ-BX64	BX64	67	14.75	BTQ-BX85	BX85	88	18.33	BTQ-BX116	BX116	119	23.61
BTQ-BX44	BX44	47	11.35	BTQ-BX65	BX65	68	14.92	BTQ-BX86	BX86	89	18.50	BTQ-BX120	BX120	123	24.30
BTQ-BX45	BX45	48	11.52	BTQ-BX66	BX66	69	15.10	BTQ-BX87	BX87	90	18.67	BTQ-BX124	BX124	127	24.99
BTQ-BX46	BX46	49	11.70	BTQ-BX67	BX67	70	15.26	BTQ-BX88	BX88	91	18.85	BTQ-BX128	BX128	131	25.66
BTQ-BX47	BX47	50	11.86	BTQ-BX68	BX68	71	15.43	BTQ-BX89	BX89	92	19.02	BTQ-BX133	BX133	136	26.52
BTQ-BX48	BX48	51	12.03	BTQ-BX69	BX69	72	15.61	BTQ-BX90	BX90	93	19.18	BTQ-BX136	BX136	139	27.04
BTQ-BX49	BX49	52	12.21	BTQ-BX70	BX70	73	15.77	BTQ-BX91	BX91	94	19.35	BTQ-BX144	BX144	147	28.39
BTQ-BX50	BX50	53	12.37	BTQ-BX71	BX71	74	15.94	BTQ-BX92	BX92	95	19.52				
CX Type (7/8" Top Width by 1/32" Thick)															
BTQ-CX51	CX51	55	23.89	BTQ-CX72	CX72	76	29.75	BTQ-CX85	CX85	89	33.37	BTQ-CX120	CX120	124	58.56
BTQ-CX55	CX55	59	25.00	BTQ-CX75	CX75	79	30.58	BTQ-CX90	CX90	94	34.76	BTQ-CX124	CX124	128	61.77
BTQ-CX60	CX60	64	26.39	BTQ-CX78	CX78	82	31.41	BTQ-CX96	CX96	100	36.47	BTQ-CX128	CX128	132	60.19
BTQ-CX68	CX68	72	28.64	BTQ-CX81	CX81	85	32.26	BTQ-CX105	CX105	109	38.94	BTQ-CX144	CX144	148	68.23
BTQ-CX72	CX72	76	29.75	BTQ-CX85	CX85	89	33.37	BTQ-CX112	CX112	116	40.93	BTQ-CX173	CX173	177	79.96

Single Wedge Premium Notched

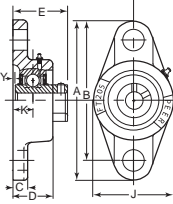


Cat. No.	Belt No.	Belt Lgth. (Inch)	Price Each	Cat. No.	Belt No.	Belt Lgth. (Inch)	Price Each	Cat. No.	Belt No.	Belt Lgth. (Inch)	Price Each	Cat. No.	Belt No.	Belt Lgth. (Inch)	Price Each
3VX Type (3/8" Top Width by 5/16" Thick)															
BTQ-3VX240	3VX240	24	4.41	BTQ-3VX355	3VX355	35.5	11.82	BTQ-3VX560	3VX560	56	9.53	BTQ-3VX950	3VX950	95	15.90
BTQ-3VX250	3VX250	25	4.56	BTQ-3VX360	3VX360	36	11.94	BTQ-3VX600	3VX600	60	10.18	BTQ-3VX1000	3VX1000	100	17.89
BTQ-3VX255	3VX255	25.5	4.64	BTQ-3VX375	3VX375	37.5	12.28	BTQ-3VX630	3VX630	63	10.67	BTQ-3VX1060	3VX1060	106	18.93
BTQ-3VX265	3VX265	26.5	4.79	BTQ-3VX400	3VX400	40	12.85	BTQ-3VX670	3VX670	67	11.32	BTQ-3VX1120	3VX1120	112	19.98
BTQ-3VX280	3VX280	28	5.02	BTQ-3VX425	3VX425	42.5	13.41	BTQ-3VX710	3VX710	71	11.98	BTQ-3VX1180	3VX1180	118	21.04
BTQ-3VX300	3VX300	30	10.52	BTQ-3VX450	3VX450	45	7.74	BTQ-3VX750	3VX750	75	12.63	BTQ-3VX1250	3VX1250	125	22.26
BTQ-3VX315	3VX315	31.5	10.88	BTQ-3VX475	3VX475	47.5	8.15	BTQ-3VX800	3VX800	80	13.44	BTQ-3VX1320	3VX1320	132	23.51
BTQ-3VX335	3VX335	33.5	11.35	BTQ-3VX500	3VX500	50	8.55	BTQ-3VX850	3VX850	85	14.25	BTQ-3VX1400	3VX1400	140	24.91
BTQ-3VX340	3VX340	34	11.47	BTQ-3VX530	3VX530	53	9.04	BTQ-3VX900	3VX900	90	15.08				
5VX Type (5/8" Top Width by 1/32" Thick)															
BTQ-5VX400	5VX400	40	15.26	BTQ-5VX600	5VX600	60	22.52	BTQ-5VX800	5VX800	80	29.81	BTQ-5VX1060	5VX1060	106	39.33
BTQ-5VX425	5VX425	42.5	16.16	BTQ-5VX610	5VX610	61	22.89	BTQ-5VX810	5VX810	80	30.18	BTQ-5VX1080	5VX1080	108	40.07
BTQ-5VX450	5VX450	45	17.06	BTQ-5VX630	5VX630	63	23.62	BTQ-5VX830	5VX830	83	30.92	BTQ-5VX1120	5VX1120	112	41.51
BTQ-5VX475	5VX475	47.5	17.97	BTQ-5VX650	5VX650	65	24.34	BTQ-5VX840	5VX840	84	31.26	BTQ-5VX1150	5VX1150	115	42.62
BTQ-5VX500	5VX500	50	18.88	BTQ-5VX660	5VX660	66	24.72	BTQ-5VX850	5VX850	85	31.64	BTQ-5VX1180	5VX1180	118	43.69
BTQ-5VX510	5VX510	51	19.24	BTQ-5VX670	5VX670	67	25.07	BTQ-5VX860	5VX860	86	32.01	BTQ-5VX1250	5VX1250	125	52.40
BTQ-5VX530	5VX530	53	19.97	BTQ-5VX680	5VX680	68	25.44	BTQ-5VX880	5VX880	88	32.90	BTQ-5VX1320	5VX1320	132	55.28
BTQ-5VX540	5VX540	54	20.33	BTQ-5VX690	5VX690	69	25.81	BTQ-5VX900	5VX900	90	33.46	BTQ-5VX1400	5VX1400	140	58.58
BTQ-5VX550	5VX550	55	20.70	BTQ-5VX710	5VX710	71	26.53	BTQ-5VX930	5VX930	93	34.58	BTQ-5VX1500	5VX1500	150	62.71
BTQ-5VX560	5VX560	56	21.06	BTQ-5VX730	5VX730	73	27.25	BTQ-5VX950	5VX950	95	35.28	BTQ-5VX1600	5VX1600	160	66.82
BTQ-5VX570	5VX570	57	21.43	BTQ-5VX740	5VX740	74	27.63	BTQ-5VX960	5VX960	96	35.66	BTQ-5VX1700	5VX1700	170	70.93
BTQ-5VX580	5VX580	58	21.79	BTQ-5VX750	5VX750	75	28.00	BTQ-5							

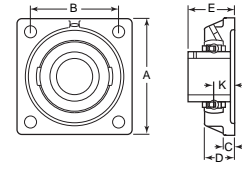
MOUNTED BEARINGS



Pillow Block



**Flange Unit
Standard Two Bolt**



**Flange Unit
Standard Four Bolt**

Pillow Block - Standard Shaft Height Set Screw Locking

Cat. No.	Bearing No.	Bore Size	Load Rate	A	B	C	D	E		H	K	L	Price Each
								Min.	Max.				
PRB-107	UCP201-8	1/2	2,900	1 3/16	5	1 11/32	17/32	3	4 1/2	2 15/32	.5	.72	20.94
PRB-108	UCP202-10	5/8	2,900	1 3/16	5	1 11/32	17/32	3	4 1/2	2 15/32	.5	.72	19.85
PRB-109	UCP204-12	3/4	2,900	1 5/16	5	1 11/32	17/32	3	4 1/2	2 17/32	.5	.72	15.15
PRB-110	UCP205-14	7/8	3,150	1 7/16	5 1/8	1 13/32	9/8	3 3/8	4 9/8	2 3/4	.563	.776	18.39
PRB-140	UCP205-15	15/16	3,150	1 7/16	5 1/8	1 13/32	9/8	3 11/16	4 11/32	2 3/4	5/16	25/32	18.63
PRB-111	UCP205-16	1	3,150	1 7/16	5 1/8	1 13/32	9/8	3 5/8	4 5/8	2 3/4	.563	.776	16.45
PRB-112	UCP206-18	1 1/8	4,390	1 11/16	6	1 19/16	1 1/2	3 15/16	5 9/16	3 1/2	.626	.874	22.56
PRB-143	UCP206-19	1 3/16	4,390	1 11/16	6	1 19/16	1 1/2	4 1/4	5	3 1/2	23/64	7/8	21.92
PRB-113	UCP206-20	1 1/4	4,390	1 11/16	6	1 19/16	1 1/2	3 15/16	5 9/16	3 1/2	.626	.874	21.92
PRB-145	UCP207-20	1 1/4	5,740	1 7/8	6 5/16	1 25/32	3/4	4 11/16	5 1/4	3 21/32	3/8	1	27.24
PRB-114	UCP207-22	1 3/8	5,740	1 7/8	6 5/16	1 25/32	3/4	4 3/16	5 13/16	3 21/32	.689	1	27.24
PRB-147	UCP207-23	1 7/16	5,740	1 7/8	6 5/16	1 25/32	3/4	4 11/16	5 1/4	3 21/32	3/8	1	27.24
PRB-115	UCP208-24	1 1/2	7,340	1 15/16	7 1/4	1 59/64	13/16	4 19/32	6 7/32	4	.748	1.189	32.05
PRB-149	UCP209-27	1 11/16	7,470	1 15/16	6 29/32	1 29/32	3/4	4 15/16	5 3/4	3 29/32	29/64	1 1/8	40.39
PRB-116	UCP209-28	1 3/4	7,470	2 1/8	7 15/32	1 29/32	3/4	4 15/16	6 9/15	3 29/32	.748	1.189	37.95
PRB-151	UCP210-31	1 15/16	7,900	2 1/4	8	2 1/8	7/8	5 1/8	6 1/2	4 1/2	7/16	1 17/64	40.88
PRB-117	UCP211-32	2	9,810	2 1/2	9 5/8	2 3/16	15/16	5 27/32	7 19/32	5	.874	1.315	50.58
PRB-153	UCP211-35	2 3/16	9,810	2 1/2	9 5/8	2 3/16	15/16	6 3/8	7 1/8	5	1/2	1 9/32	54.16

Pillow Block - Low Shaft Height Set Screw Locking

Cat. No.	Bearing No.	Bore Size	Load Rate	A	B	C	D	E		H	K	L	Price Each
								Min.	Max.				
PRB-154	UCLP201-8	1/2	2,150	1 1/4	5	1 11/32	15/32	3 15/32	4 3/16	2 15/32	1/4	5/8	20.94
PRB-155	UCLP202-10	5/8	2,150	1 1/4	5	1 11/32	15/32	3 15/32	4 3/16	2 15/32	1/4	5/8	19.85
PRB-156	UCLP204-12	3/4	2,860	1 1/4	5	1 11/32	1/2	3 15/32	4 3/16	2 15/32	9/32	23/32	15.15
PRB-157	UCLP205-14	7/8	3,150	1 5/16	5 1/2	1 1/2	1/2	3 11/16	4 11/32	2 21/32	5/16	25/32	18.39
PRB-158	UCLP205-15	15/16	3,150	1 5/16	5 1/2	1 1/2	1/2	3 11/16	4 11/32	2 21/32	5/16	25/32	18.63
PRB-159	UCLP205-16	1	3,150	1 5/16	5 1/2	1 1/2	1/2	3 11/16	4 11/32	2 21/32	5/16	25/32	16.45
PRB-160	UCLP206-18	1 1/8	4,390	1 9/16	6 1/2	1 3/4	17/32	4 1/4	5	3 5/32	23/64	7/8	22.56
PRB-161	UCLP206-19	1 3/16	4,390	1 9/16	6 1/2	1 3/4	17/32	4 1/4	5	3 5/32	23/64	7/8	21.92
PRB-163	UCLP207-20	1 1/4	5,740	1 13/16	6 9/16	1 13/16	2 1/32	4 11/16	5 1/4	3 5/8	3/8	1	27.24

Flange Units - Standard Two Bolt Set Screw Locking

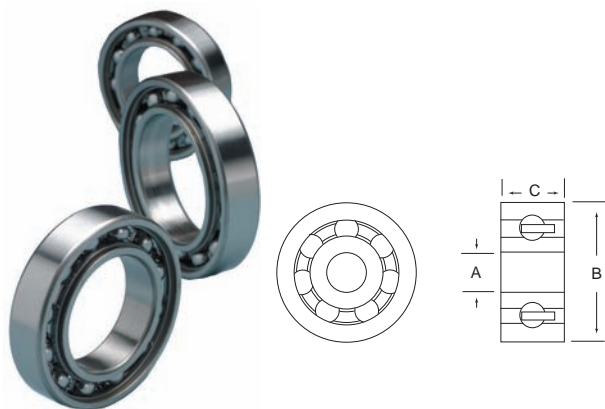
Cat. No.	Bearing No.	Bore Size	Load Rate	A	B	C	D	E		J	K	Y	Price Each
								Min.	Max.				
PRB-118	UCFT201-8	1/2	2,900	37/8	3	7/16	1	1.32	2 1/8	594	.094	20.94	
PRB-119	UCFT202-10	5/8	2,900	37/8	3	7/16	1	1.32	2 1/8	594	.094	19.85	
PRB-120	UCFT204-12	3/4	2,900	47/16	3 17/16	7/16	15/16	1.31	2 3/8	591	.091	15.25	
PRB-185	UCFT205-14	7/8	3,150	5 1/8	3 57/64	1/2	1 1/4	1.41	2 11/16	630	.067	18.15	
PRB-186	UCFT205-15	15/16	3,150	5 1/8	3 57/64	1/2	1 1/4	1.41	2 11/16	630	.067	18.38	
PRB-121	UCFT205-16	1	3,150	5 1/8	3 57/64	1/2	1 1/4	1.41	2 11/16	630	.067	16.21	
PRB-122	UCFT206-17	1 1/16	4,390	5 13/16	4 19/32	1/2	1 9/32	1.58	3 5/32	709	.083	22.86	
PRB-188	UCFT206-19	1 3/16	4,390	5 13/16	4 19/32	1/2	1 9/32	1.58	3 5/32	709	.083	21.50	
PRB-123	UCFT206-20	1 1/4	4,390	5 13/16	4 19/32	1/2	1 9/32	1.58	3 5/32	709	.083	21.50	
PRB-190	UCFT207-20	1 1/4	5,740	6 11/32	5 1/8	9/16	1 9/16	1.75	3 17/32	748	.059	26.86	
PRB-191	UCFT207-22	1 3/8	5,740	6 11/32	5 1/8	9/16	1 9/16	1.75	3 17/32	748	.059	26.86	
PRB-192	UCFT207-23	1 7/16	5,740	6 11/32	5 1/8	9/16	1 9/16	1.75	3 17/32	748	.059	26.86	
PRB-124	UCFT208-24	1 1/2	7,340	6 7/8	5 21/32	9/16	1 13/32	2.02	3 15/16	828	.080	31.63	
PRB-194	UCFT209-27	1 11/16	7,470	7 13/32	5 27/32	19/32	1 3/8	2.06	4 1/4	866	.118	40.42	
PRB-125	UCFT210-30	1 7/8	7,900	7 3/4	6 3/16	19/32	1 17/32	2.15	4 11/32	866	.118	47.32	

Flange Units - Standard Four Bolt Set Screw Locking

Cat. No.	Bearing No.	Bore Size	Load Rate	A	B	C	D	E		K	Price Each
								Min.	Max.		
PRB-126	UCF201-8	1/2	2,900	3	2 1/8	3/8	1	1.31	.592	.592	20.94
PRB-127	UCF202-10	5/8	2,900	3	2 1/8	3/8	1	1.31	.592	.592	19.85
PRB-128	UCF204-12	3/4	2,900	3 3/8	2 1/2	7/16	1	1.31	.592	.592	15.25
PRB-129	UCF205-14	7/8	3,150	3 3/4	2 3/4	1/2	1 1/2	1.41	.631	.631	18.15
PRB-168	UCF205-15	15/16	3,150	3 3/4	2 3/4	1/2	1 1/2	1.41	.631	.631	18.38
PRB-130	UCF205-16	1	3,150	3 3/4	2 3/4	1/2	1 1/2	1.41	.631	.631	16.21
PRB-170	UCF206-18	1 1/8	4,390	4 1/4	3 1/4	19/32	1 9/32	1.58	1.21	1.21	22.39
PRB-171	UCF206-19	1 3/16	4,390	4 1/4	3 1/4	19/32	1 9/32	1.58	1.21	1.21	21.75
PRB-131	UCF206-20	1 1/4	4,390	4 1/4	3 1/4	19/32	1 9/32	1.58	1.21	1.21	21.75
PRB-132	UCF207-20	1 1/4	5,740	4 19/32	3 5/8	19/32	1 9/32	1.75	1.59	1.59	26.93
PRB-133	UCF207-22	1 5/8	5,740	4 19/32	3 5/8	19/32	1 9/32	1.75	1.59	1.59	26.93
PRB-134	UCF207-23	1 7/16	5,740	4 19/32	3 5/8	19/32	1 9/32	1.75	1.59	1.59	26.93
PRB-135	UCF208-24	1 1/2	7,340	5 1/8	4	19/32	1 13/32	2.02	1.75	1.75	32.71
PRB-177	UCF209-27	1 11/16	7,470	5 9/8	4 1/8	11/16	1 19/32	2.06	2 1/64	2 1/64	40.98
PRB-178	UCF209-28	1 3/4	7,470	5 9/8	4 1/8	11/16	1 19/32	2.06	2 1/64	2 1/64	38.54
PRB-136	UCF210-30	1 7/8	7,900	5 9/8	4 3/8	5/8	1 9/16	2.031	1.75	.873	48.36
PRB-179	UCF210-31	1 15/16	7,900	5 9/8	4 3/8	25/32	1 3/4	2 19/64	1 1/2	.873	41.61
PRB-137	UCF210-32	2	7,900	5 9/8	4 3/8	5/8	1 9/16	2 19/64	1 1/2	.873	44.48
PRB-181	UCF211-35	2 3/16	9,810	6 3/8	5 1/8	37/32	1 7/8	2 7/16	1 5/32	.873	57.53

BALL BEARINGS

6000 Series



Plain Inch

Cat. No.	Bearing No.	A	B	C	Price Each 1-5
PRB-11	R2	1/8	3/8	5/32	2.67
PRB-12	R3	3/16	1/2	5/32	2.67
PRB-13	R4A	1/4	3/4	9/32	3.12
PRB-14	R6	3/8	7/8	9/32	2.64
PRB-15	R8	1/2	1 1/8	1/4	3.46
PRB-16	R10	5/8	1 3/8	9/32	3.39
PRB-17	R12	3/4	1 5/8	5/16	4.11
PRB-18	R16	1	2	3/8	5.38

Select "R" Series Double Shielded Inch

Cat. No.	Bearing No.	A	B	C	Price Each 1-5
PRB-19	77R2	1/8	3/8	5/32	2.84
PRB-20	77R3	3/16	1/2	.196	2.50
PRB-21	77R4A	1/4	3/4	9/32	3.67
PRB-22	77R6	3/8	7/8	9/32	2.40
PRB-23	77R8	1/2	1 1/8	5/16	3.05
PRB-24	77R10	5/8	1 3/8	11/32	3.77
PRB-25	77R12	3/4	1 5/8	7/16	4.52
PRB-26	77R14	7/8	1 7/8	1/2	5.55
PRB-27	77R16	1	2	1/2	5.75

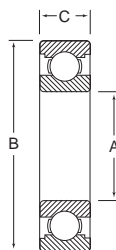
Select "R" Series Double Sealed Inch

Cat. No.	Bearing No.	A	B	C	Price Each 1-5
PRB-28	99R2	1/8	3/8	5/32	3.46
PRB-29	99R3	3/16	1/2	.196	3.22
PRB-30	99R4A	1/4	3/4	9/32	3.60
PRB-31	99R6	3/8	7/8	9/32	2.67
PRB-32	99R8	1/2	1 1/8	5/16	3.36
PRB-33	99R10	5/8	1 3/8	11/32	4.73
PRB-34	99R12	3/4	1 5/8	7/16	5.65
PRB-35	99R14	7/8	1 7/8	1/2	6.92
PRB-36	99R16	1	2	1/2	7.26

Stainless Steel Inch and Metric

Cat. No.	Bearing No.	A	B	C	Max. rpm No Load	Load Capacity Lbs.		Price Each 1-5
						Dynamic	Static	
Inch								
PRB-1	SS77R4	1/4	5/8	.196	2,352	56	91	6.88
PRB-2	SS77R6	3/8	7/8	7/32	1,600	126	59	13.22
PRB-3	SS77R8	1/2	1 1/8	1/4	1,142	165	129	16.58
PRB-4	SS77R10	5/8	1 3/8	7/16	1,069	207	138	23.80
PRB-5	SS77R12	3/4	1 5/8	9/16	840	234	156	28.42
PRB-6	SS77R16	1	2	1/2	729	276	183	59.97
Metric								
PRB-7	SS608	8	22	7	1,600	126	99	7.95
PRB-8	SS6002	15	32	9	1,142	165	128	26.10
PRB-9	SS6003	17	35	10	1,069	207	138	30.52
PRB-10	SS6203	17	40	12	1,069	207	138	28.22

6200 Series



This deep groove, conrad construction is specifically designed to provide maximum performance by means of precise ball complement selection. The honed raceways offer a perfectly balanced bearing capable of operating under straight radial, thrust or combination loads. This series is available with shields, Buna N seals, or locating rings. Sealed bearings may be obtained with either low or high starting torques. Radial clearance is selected in accordance to applications ranging from C2 - C0 - C3 - C4 fits. Metric dimensions are in millimeters.

Open Metric



Cat. No.	Bearing No.	A	B	C	Basic Load Rating Lbs.		Speed Rating rpm		Price Each 1-5
					Dynamic	Static	Grease	Oil	
PRB-234	6200-C3	10	30	9	1,140	531	24,000	30,000	2.57
PRB-235	6201-C3	12	32	10	1,550	697	22,000	28,000	2.84
PRB-236	6202-C3	15	35	11	1,750	843	19,000	24,000	2.84
PRB-237	6203-C3	17	40	12	2,150	1,070	17,000	20,000	2.29
PRB-238	6204-C3	20	47	14	2,860	1,470	15,000	18,000	3.22
PRB-239	6205-C3	25	52	15	3,150	1,750	12,000	15,000	3.80
PRB-240	6206-C3	30	62	16	4,380	2,520	10,000	13,000	4.93
PRB-241	6207-C3	35	72	17	5,730	3,440	9,000	11,000	5.79
PRB-242	6208-C3	40	80	18	6,900	4,270	8,500	10,000	8.25
PRB-243	6209-C3	45	85	19	7,460	4,860	7,500	9,000	9.83
PRB-244	6210-C3	50	90	20	7,890	5,220	7,000	8,500	12.16

Two Shields Metric



Cat. No.	Bearing No.	A	B	C	Basic Load Rating Lbs.		Speed Rating rpm		Price Each 1-5
					Dynamic	Static	Grease	Oil	
PRB-245	6200-ZZ-C3	10	30	9	1,140	531	24,000	30,000	2.94
PRB-246	6201-ZZ-C3	12	32	10	1,550	697	22,000	28,000	2.78
PRB-247	6202-ZZ-C3	15	35	11	1,750	843	19,000	24,000	2.97
PRB-248	6203-ZZ-C3	17	40	12	2,150	1,070	17,000	20,000	2.43
PRB-249	6204-ZZ-C3	20	47	14	2,860	1,470	15,000	18,000	3.46
PRB-250	6205-ZZ-C3	25	52	15	3,150	1,750	12,000	15,000	4.01
PRB-251	6206-ZZ-C3	30	62	16	4,380	2,520	10,000	13,000	5.52
PRB-252	6207-ZZ-C3	35	72	17	5,730	3,440	9,000	11,000	7.77
PRB-253	6208-ZZ-C3	40	80	18	6,900	4,270	8,500	10,000	8.39
PRB-254	6209-ZZ-C3	45	85	19	7,460	4,860	7,500	9,000	11.23
PRB-255	6210-ZZ-C3	50	90	20	7,890	5,220	7,000	8,500	12.57

Two Seals Metric

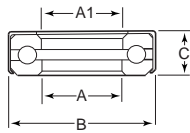


Cat. No.	Bearing No.	A	B	C	Basic Load Rating Lbs.		Speed Rating rpm		Price Each 1-5
					Dynamic	Static	Grease	Oil	
PRB-256	6200-2RS-C3	10	30	9	1,140	531	17,000	—	2.78
PRB-257	6201-2RS-C3	12	32	10	1,550	697	15,000	—	2.91
PRB-258	6202-2RS-C3	15	35	11	1,750	843	13,000	—	3.01
PRB-259	6203-2RS-C3	17	40	12	2,150	1,070	12,000	—	2.43
PRB-260	6204-2RS-C3	20	47	14	2,860	1,470	10,000	—	3.70
PRB-261	6205-2RS-C3	25	52	15	3,150	1,750	8,500	—	4.25
PRB-262	6206-2RS-C3	30	62	16	4,380	2,520	7,500	—	5.82
PRB-263	6207-2RS-C3	35	72	17	5,730	3,440	6,300	—	8.22
PRB-264	6208-2RS-C3	40	80	18	6,900	4,270	5,600	—	9.59
PRB-265	6209-2RS-C3	45	85	19	7,460	4,860	5,000	—	12.88
PRB-266	6210-2RS-C3	50	90	20	7,890	5,220	4,000	—	13.67

34	Quantity	1-5	6-14	15-24	25-49	50-99	100+
	Discount	Net	5%	8%	10%	12.5%	Call

NICE® BALL BEARINGS

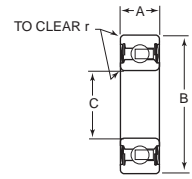
Unground Thrust Bearings



Unground thrust bearings are designed for moderate speeds and medium thrust loads. These bearings utilize a full ball complement. The upper ring is free to rotate in the band and has a close fit in the bore for the shaft. The lower ring is fixed in the band and has a shaft clearance in the bore. Recommended for maximum speeds in the range of 1,200 rpm.

Cat. No.	A	A1	B	C	Balls		Speed Limit (rpm)	Price Each
					No.	Size		
SKF-9035	.250	.275	0.844	.333	10	.156	1,000	3.20
SKF-9040	.375	.400	1.047	.359	14	.156	1,000	3.38
SKF-9045	.453	.478	0.859	.281	15	.125	1,000	5.27
SKF-9050	.500	.525	1.266	.437	10	.250	1,000	3.55
SKF-9055	.500	.525	1.000	.344	12	.188	1,000	2.61
SKF-9060	.625	.656	1.125	.344	16	.156	1,000	2.75
SKF-9065	.625	.656	1.422	.453	12	.250	1,000	3.91
SKF-9070	.750	.775	1.656	.545	15	.250	1,000	3.91
SKF-9075	.875	.900	1.891	.594	17	.250	1,000	6.41
SKF-9080	.9843	1.031	1.750	.625	16	.250	1,000	7.12
SKF-9085	1.000	1.075	2.000	.630	12	.375	1,000	7.26
SKF-9090	1.000	1.031	1.969	.625	18	.250	1,000	7.33
SKF-9095	1.016	1.031	1.750	.625	16	.250	1,000	6.04
SKF-9100	1.063	1.094	1.969	.625	18	.250	1,000	6.13
SKF-9105	1.125	1.150	2.094	.625	19	.250	1,000	7.63
SKF-9110	1.250	1.275	2.344	.625	23	.250	1,000	13.40
SKF-9115	1.437	1.462	2.469	.625	23	.250	1,000	14.72
SKF-9120	1.500	1.525	2.594	.625	25	.250	1,000	14.37

Semi-ground Radial Bearings

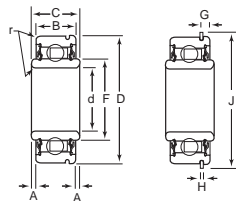


Precision ground on all contact surfaces except bore. A ball retainer, or separator, is employed to increase the range of allowable speeds by reducing ball contact friction. This series of radial bearing is available open, double shielded or double sealed. The double shielded and double sealed bearings are grease packed as standard. Recommended for lighter loads and maximum speeds in the range of 3,000 rpm. ID tolerance is $+0.005/-0.000$, OD tolerance is $+0.000/-0.0005$ and width tolerance is $+0.000/-0.005$.

Double Sealed Cat. No.	Double Shield Cat. No.	A	B	C	r	Load Capacity		Price Each
						Dynamic	Static	
SKF-9215*	SKF-9270	0.2500	0.6875	0.2500	0.035	255	170	5.48 4.85
—	SKF-9275	0.2813	0.8750	0.3750	0.035	325	255	— 4.85
SKF-9220	SKF-9280	0.3750	1.1250	0.3750	0.035	600	475	6.18 5.48
SKF-9225	SKF-9285	0.3750	1.1250	0.5000	0.035	600	475	6.18 5.48
SKF-9230	SKF-9290	0.4375	1.3750	0.5000	0.035	940	850	7.17 6.18
SKF-9235	SKF-9295	0.4375	1.3750	0.6250	0.035	940	850	7.17 6.18
SKF-9240	SKF-9300	0.5000	1.6250	0.6250	0.035	1,300	1,010	9.30 8.95
SKF-9245	SKF-9305	0.5000	1.6250	0.7500	0.035	1,300	1,010	9.12 8.07
SKF-9250**	SKF-9310	0.5000	1.7500	0.7500	0.035	1,300	1,025	9.49 8.34
SKF-9255**	SKF-9315	0.5625	2.0000	0.7500	0.035	1,480	1,350	11.06 9.67
SKF-9265**	SKF-9320	0.5625	2.0000	1.0000	0.035	1,480	1,350	11.30 9.63

*Multi-part seal. Width is 0.3125"
**O.D. tolerance $+0.000/-0.0006$

Heavy Duty Precision Ground Radial Bearings

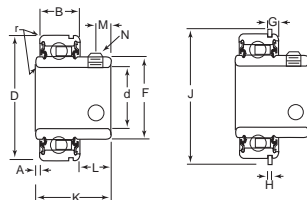


Precision ground on all contact surfaces. Recommended for applications requiring the accuracy of rotation and quiet performance of close tolerance precision grab bearings, and where superior seal is required to retain lubricant and keep the bearing free from dust and dirt. Double sealed bearings are greased packed as standard. Nylon cage design. Use for medium loads and for maximum speeds in the range of 6,000 rpm. ID and OD tolerance area is $+0.000/-0.0005$. Width tolerance is $+0.000/-0.005$ ".

Cat. No.	Principal Dimensions										Basic Load Ratings			Abutment and Fillet Dimensions			Price Each
	d	D	B	A	C	F	G	H	J	Radius	Weight	Dynamic	Static	min	Max.	r max	
SKF-9125*	0.500	1.7500	0.625	0.0625	0.750	1.009	0.136	0.042	1.9219	0.035	0.330	2,595	1,010	0.750	1,500	0.035	19.39
SKF-9130	0.500	1.7500	0.625	0.0625	0.750	1.009	0.136	0.042	1.9219	0.035	0.330	2,595	1,010	0.750	1,500	0.035	18.11
SKF-9135*	0.625	1.7500	0.625	0.0625	0.750	1.009	0.136	0.042	1.9219	0.035	0.290	2,595	1,010	0.875	1,500	0.035	19.39
SKF-9140	0.625	1.7500	0.625	0.0625	0.750	1.009	0.136	0.042	1.9219	0.035	0.290	2,595	1,010	0.875	1,500	0.035	18.11
SKF-9145*	0.750	1.7500	0.625	0.0625	0.750	1.009	0.136	0.042	1.9219	0.035	0.310	2,595	1,010	1.000	1,500	0.035	19.41
SKF-9150	0.750	1.7500	0.625	0.0625	0.750	1.009	0.136	0.042	1.9219	0.035	0.310	2,595	1,010	1.000	1,500	0.035	18.06
SKF-9155***	1.000	2.0000	0.625	0.0625	0.750	1.306	0.136	0.042	2.1563	0.035	0.330	2,970	1,350	1.250	1,750	0.035	19.73
SKF-9160**	1.000	2.0000	0.625	0.0625	0.750	1.306	0.136	0.042	2.1563	0.035	0.330	2,970	1,350	1.250	1,750	0.035	18.51
SKF-9165***	1.250	2.5625	0.750	0.0625	0.875	1.675	0.190	0.065	2.7656	0.035	0.565	5,360	2,620	1.500	2,312	0.035	30.84
SKF-9170**	1.250	2.5625	0.750	0.0625	0.875	1.675	0.190	0.065	2.7656	0.035	0.565	5,360	2,620	1.500	2,312	0.035	27.94

*Snap ring in the groove
**OD tolerance is $+0.000/-0.0006$
***Snap ring in the groove and OD tolerance is $+0.000/-0.0006$

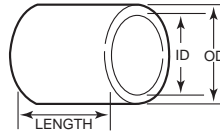
Heavy Duty Precision Ground Radial Bearings with Extended Inner Ring



Precision ground on all contact surfaces. Recommended for applications requiring the accuracy of rotation and quiet performance of close tolerance precision grab bearings, and where a superior seal is required to retain lubricant and keep the bearing free from dust and dirt. Double sealed bearings are greased packed as standard. Nylon cage design. Use for medium loads and for maximum speeds in the range of 6,000 rpm. ID and OD tolerance area $+0.000/-0.0005$ ". Width tolerance is $+0.000/-0.005$ ".

Cat. No.	Principal Dimensions										Basic Load Ratings			Price Each			
	d	D	B	A	F	G	H	J	K	L	M	N	Radius		Dynamic	Static	Weight
SKF-9175*	.6250	1.7500	0.625	.0625	1.009	0.136	0.042	1.9219	1.092	0.405	0.233	10-32	0.035	2,595	1,010	.036	23.46
SKF-9180	.6250	1.7500	0.625	.0625	1.009	0.136	0.042	1.9219	1.092	0.405	0.233	10-32	0.035	2,595	1,010	0.36	21.90
SKF-9185*	.7500	1.7500	0.625	.0625	1.009	0.136	0.042	1.9219	1.092	0.405	0.233	10-32	0.035	2,595	1,010	0.28	22.28
SKF-9190	.7500	1.7500	0.625	.0625	1.009	0.136	0.042	1.9219	1.092	0.405	0.233	10-32	0.035	2,595	1,010	0.28	20.85
SKF-9195***	1.0000	2.0000	0.625	.0625	1.306	0.136	0.042	2.1563	1.179	0.492	0.261	10-32	0.035	2,970	1,350	0.36	24.37
SKF-9200**	1.0000	2.0000	0.625	.0625	1.306	0.136	0.042	2.1563	1.179	0.492	0.261	10-32	0.035	2,970	1,350	0.36	23.46
SKF-9205***	1.2500	2.5625	0.750	.0625	1.672	0.190	0.065	2.7656	1.417	0.605	0.261	1/4-28	0.035	5,360	2,620	0.71	37.68
SKF-9210**	1.2500	2.5625	0.750	.0625	1.672	0.190	0.065	2.7656	1.417	0.605	0.261	1/4-28	0.035	5,360	2,620	0.71	36.75

*Snap ring in the groove
**OD tolerance is $+0.000/-0.0006$
***Snap ring in the groove and OD tolerance is $+0.000/-0.0006$



SAE 841 Bronze - Oil Impregnated

ID or OD Size	Tolerance
to 1.510	-0.001
1.511 to 2.510	-0.0015
2.511 to 3.010	-0.002
3.011 to 4.010	-0.003
4.011 to 5.010	-0.004

Length Size	Tolerance
to 1.495	±.005
1.496 to 2.990	±.0075
2.991 to 4.895	±.010

ID	OD	Lgth.	Cat. No.	Price Each
5/16" ID x 7/16" OD Nominal				
0.3125	0.4400	1/4	BNT-305	.72
0.3125	0.4400	3/8	BNT-306	.72
0.3125	0.4400	1/2	BNT-307	.80
0.3125	0.4400	3/4	BNT-308	.85
3/8" ID x 1/2" OD Nominal				
0.3770	0.5030	1/4	BNT-127	.25
0.3770	0.5030	3/8	BNT-128	.28
0.3770	0.5030	1/2	BNT-129	.29
0.3770	0.5030	5/8	BNT-130	.37
0.3770	0.5030	3/4	BNT-131	.67
0.3770	0.5030	7/8	BNT-132	.51
0.3770	0.5030	1	BNT-133	.47
0.3770	0.5030	1 1/4	BNT-134	.51
3/8" ID x 9/16" OD Nominal				
0.3770	0.5655	1/2	BNT-135	.61
0.3770	0.5655	3/4	BNT-136	.73
0.3770	0.5655	1	BNT-137	.83
0.3770	0.5655	1 1/4	BNT-138	1.76
3/8" ID x 5/8" OD Nominal				
0.3770	0.6280	3/8	BNT-139	.70
0.3770	0.6280	1/2	BNT-140	.65
0.3770	0.6280	3/4	BNT-141	.79
7/16" ID x 5/8" OD Nominal				
0.4395	0.6280	1/2	BNT-142	.61
0.4395	0.6280	3/4	BNT-143	.72
0.4395	0.6280	1	BNT-144	.84
1/2" ID x 5/8" OD Nominal				
0.5020	0.6280	3/8	BNT-145	.32
0.5020	0.6280	1/2	BNT-146	.37
0.5020	0.6280	5/8	BNT-147	.45
0.5020	0.6280	3/4	BNT-148	.47
0.5020	0.6280	1	BNT-149	.57
0.5020	0.6280	1 1/4	BNT-150	.65
1/2" ID x 3/4" OD Nominal				
0.5020	0.7530	3/8	BNT-151	.55
0.5020	0.7530	1/2	BNT-152	.61
0.5020	0.7530	5/8	BNT-153	.68
0.5020	0.7530	3/4	BNT-154	.78
0.5020	0.7530	1	BNT-155	.97
0.5020	0.7530	1 1/4	BNT-156	1.20

* Other sizes available

Cast Bronze Sleeve Bearings

ID	Tolerances		Lgth.	Cat. No.	Price Each
	3" or Less	Over 3"			
±.0010"	±.0015"	+0.002" to .003"			Concentricity .003" T.I.R
3/4" ID x 1 1/8" OD Nominal					
0.7500	1.1250		1 1/2	BNT-260	4.99
7/8" ID x 1" OD Nominal					
0.8750	1		1	BNT-261	2.24
0.8750	1		2	BNT-262	3.81
1" ID x 1 1/8" OD Nominal					
1	1.1250		1	BNT-263	1.92
1	1.1250		1 1/2	BNT-264	3.45
1" ID x 1 1/8" OD Nominal					
1	1.2500		3/4	BNT-265	1.91
1	1.2500		1	BNT-266	2.38
1	1.2500		1 1/4	BNT-267	2.77
1	1.2500		1 1/2	BNT-268	3.15
1	1.2500		1 3/4	BNT-269	4.51
1	1.2500		2	BNT-270	5.63
1	1.2500		2 1/2	BNT-271	5.83
1	1.2500		3	BNT-272	5.85
1" ID x 1 3/8" OD Nominal					
1	1.3750		1	BNT-273	4.16
1	1.3750		1 1/2	BNT-274	5.10
1" ID x 1 1/2" OD Nominal					
1	1.5000		1 1/2	BNT-275	6.30
1	1.5000		2	BNT-276	8.14
1	1.5000		3	BNT-277	11.73
1	1.5000		4	BNT-278	15.03
1 1/8" ID x 1 3/8" OD Nominal					
1.1250	1.3750		1	BNT-279	3.04
1.1250	1.3750		1 3/4	BNT-280	5.08
1.1250	1.3750		2	BNT-281	5.57
1.1250	1.3750		4	BNT-282	10.25
1 1/4" ID x 1 1/2" OD Nominal					
1.2500	1.5000		1 1/2	BNT-283	4.22
1.2500	1.5000		2	BNT-284	5.48
1.2500	1.5000		3	BNT-285	7.57
1.2500	1.5000		4	BNT-286	10.36
1 5/16" ID x 1 5/8" OD Nominal					
1.3125	1.6250		2 1/2	BNT-287	10.85
1 3/8" ID x 1 5/8" OD Nominal					
1.3750	1.6250		3	BNT-288	8.16
1 1/2" ID x 1 3/4" OD Nominal					
1.5000	1.7500		1	BNT-289	3.39
1.5000	1.7500		1 3/4	BNT-290	5.70
1.5000	1.7500		3	BNT-291	8.98
1 1/2" ID x 1 7/8" OD Nominal					
1.5000	1.8750		2	BNT-292	8.14
1 1/2" ID x 2" OD Nominal					
1.5000	2		2 1/2	BNT-293	13.16
1.5000	2		3	BNT-294	15.42
1.5000	2		4	BNT-295	19.58

* Other sizes available

POWDERED METAL BRONZE BARS



SAE 841 6-1/2" Lengths

Bunting oil-filled P/M bronze bars are produced to ASTM standards for consistent precision, quality and uniformity. Bars are vacuum impregnated with non-detergent SAE 30 oil to provide excellent lubrication while being corrosion resistant. The O.D. is oversized and the I.D. is undersized to allow for finishing to listed dimensions. Application temperature range is 10°F to 220°F.

Cat. No.	I.D.	O.D.	Price Each
Cored			
BNT-1000	1/2	1	18.31
BNT-1001	1/2	1 1/8	25.77
BNT-1002	1/2	1 1/4	25.91
BNT-1003	1/2	1 1/2	38.03
BNT-1004	5/8	1	16.30
BNT-1005	3/4	1 1/4	22.63
BNT-1006	3/4	1 1/2	33.29
BNT-1007	3/4	1 3/4	46.51
BNT-1008	1	1 1/2	28.59
BNT-1009	1	1 5/8	34.49
BNT-1010	1	1 3/4	40.70
BNT-1011	1	2	53.09
BNT-1012	1	3	126.68
BNT-1013	1 1/4	1 3/4	32.81
BNT-1014	1 1/4	2	46.61
BNT-1015	1 1/2	2	36.52
BNT-1016	1 1/2	2 1/2	74.43
BNT-1017	2	2 3/4	65.06
BNT-1018	2 1/2	3 1/2	107.24
BNT-1019	3	4	121.82

* 2 inch lengths
** 3 inch lengths

Cat. No.	I.D.	O.D.	Price Each
Solid			
BNT-1020*	—	1/4	1.87
BNT-1021**	—	3/8	4.05
BNT-1022	—	1/2	7.81
BNT-1023	—	5/8	11.65
BNT-1024	—	3/4	12.56
BNT-1025	—	7/8	16.17
BNT-1026	—	1	20.98
BNT-1027	—	1 1/8	22.87
BNT-1028	—	1 1/4	27.97
BNT-1029	—	1 3/8	33.58
BNT-1030	—	1 1/2	37.84
BNT-1031	—	1 5/8	43.98
BNT-1032	—	1 3/4	49.95
BNT-1033	—	2	62.53
BNT-1034	—	2 1/4	79.61
BNT-1035	—	2 1/2	96.02
BNT-1036	—	3	136.63
BNT-1037	—	4	241.35



LINEAR BEARINGS

Smooth and Quiet Linear Motion

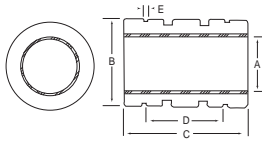
- Self-lubricating which requires no external lubricant
- Embeddability of hard particulate eliminates galling and shaft damage
- Dampens vibration for quiet and smooth operation - no metal to metal contact
- High load capacity allows for more compact design

- Shock loads are absorbed without damage to components
- Maintenance free with a reliable, predictable life that will not catastrophically fail
- High temperature range (-400°F to +500°F) and chemically inert.

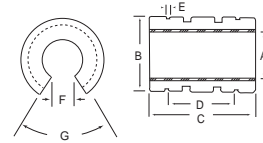
The plain bearing liner is made of FrelonGOLD®, a compound Teflon®. The interaction of the FrelonGOLD® material and the shafting creates a natural, microscopic transfer process of the FrelonGOLD® to the running surfaces. The valleys in the surface finish are filled in with FrelonGOLD® during the initial break-in period. This creates the self-lubricating condition of FrelonGOLD® riding on FrelonGOLD®. A minimum of initial lubrication is recommended to aid in cleaning the shafting for a proper transfer process. Chrome plated shafting is not recommended. The compensated styles below offer additional running clearance. The bearing shell is 6061-T6 aluminum with anodized finish. Other finishes, stainless steel and self aligning styles are also available as special order. Please call for price and delivery.



Closed Style



Open Style



Closed Style - Inch

Cat. No.	Pacific	Nominal Dia.	A	B	C	D	E	Effective Surface Area (Sq. In.)	Max. Static Load (Lbs.)	Max. Speed Ft./Min.		Price Each 1-24
										Dry	Lubricated	
Precision Style												
PBC-05	FL03	3/16	.1880/.1890	.3740/.3750	.547/.562	.375	.030	.110	110	140	400	9.97
PBC-06	FL04	1/4	.2500/.2510	.4990/.5000	.735/.750	.437	.041	.200	300	140	400	9.97
PBC-07	FL06	3/8	.3750/.3760	.6240/.6250	.860/.875	.562	.041	.340	510	140	400	10.83
PBC-08	FL08	1/2	.5000/.5010	.8740/.8750	1.235/1.250	.875	.048	.650	975	140	400	11.33
PBC-09	FL10	5/8	.6250/.6260	1.1240/1.1250	1.485/1.500	1.000	.058	.980	1,470	140	400	12.44
PBC-10	FL12	3/4	.7500/.7510	1.2490/1.2500	1.610/1.625	1.062	.058	1.270	1,905	140	400	12.66
PBC-11	FL16	1	1.0000/1.0010	1.5613/1.5625	2.235/2.250	1.625	.070	2.350	3,525	140	400	23.19
PBC-12	FL20	1 1/4	1.2500/1.2510	1.9988/2.0000	2.605/2.625	1.875	.070	3.430	5,145	140	400	39.03
PBC-13	FL24	1 1/2	1.5000/1.5012	2.3738/2.3750	2.980/3.000	2.250	.089	4.700	7,050	140	400	44.44
PBC-14	FL32	2	2.0000/2.0014	2.9986/3.0000	3.980/4.000	3.000	.105	8.350	12,525	140	400	78.18

Open Style - Inch

Cat. No.	Pacific	Nominal Dia.	A	B	C	D	E	F	G	Retaining Hole Dia.	Effective Surface Area (Sq. In.)	Max. Static Load (Lbs.)	Max. Speed Ft./Min.		Price Each 1-24
													Dry	Lubricated	
Precision Style															
PBC-40	FLN08	1/2	.5000/.5010	.8740/.8750	1.235/1.250	.875	.048	.313	60°	.136	.650	975	140	400	15.54
PBC-41	FLN10	5/8	.6250/.6260	1.1240/1.1250	1.485/1.500	1.000	.058	.375	60°	.136	.980	1,470	140	400	16.51
PBC-42	FLN12	3/4	.7500/.7510	1.2490/1.2500	1.610/1.625	1.062	.058	.438	60°	.136	1.270	1,905	140	400	17.21
PBC-43	FLN16	1	1.0000/1.0010	1.5613/1.5625	2.235/2.250	1.625	.070	.563	60°	.136	2.350	3,525	140	400	29.08
PBC-44	FLN20	1 1/4	1.2500/1.2510	1.9988/2.0000	2.605/2.625	1.875	.070	.625	60°	.201	3.430	5,145	140	400	49.25

REDI-RAIL™ LINEAR GUIDE SYSTEMS



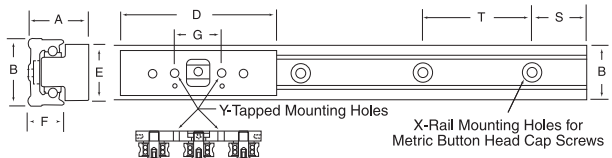
Complete Assembly



Roller Guides



Rails



Roller Guides

Cat. No.	Pacific	Fits Rail Width B	A	D	E	G	Y	Price Each 1-24
PBC-605	RRS14	1.32	.918	3.25	1.25	1.250	1/4-28	121.32
PBC-610	RRS18	1.91	1.125	4.50	1.50	1.625	5/16-24	137.34
PBC-615*	RRS24	3.00	1.500	6.00	2.75	1 x 2*	7/16-20	232.09
Metric								
PBC-625	RRS30	30	28	86	25.4	26	M5 x 0.80	104.58
PBC-630	RRS45	45	33	116	38.1	36	M8 x 1.25	129.43
PBC-635	RRS65	65	42	161	50.8	52	M8 x 1.25	184.25

*PBC-615 has four mounting holes which form a 1" x 2" rectangular hole pattern

Rails

Cat. No.	Pacific	Width B	Lgth.	F	S	T	X	No. Of Holes	Price Each 1-24
PBC-650	RR14-12	1.32	12	.60	.75	3.50	#10	4	34.25
PBC-655	RR14-24	1.32	24	.60	1.50	3.50	#10	7	58.12
PBC-660	RR14-36	1.32	36	.60	.50	3.50	#10	11	82.18
PBC-665	RR18-12	1.91	12	.75	.75	3.50	1/4	4	39.14
PBC-670	RR18-24	1.91	24	.75	1.50	3.50	1/4	7	71.37
PBC-675	RR18-36	1.91	36	.75	.50	3.50	1/4	11	105.68
PBC-680	RR24-12	3.00	12	1.04	.75	3.50	5/16	4	76.32
PBC-685	RR24-24	3.00	24	1.04	1.50	3.50	5/16	7	142.52
PBC-690	RR24-36	3.00	36	1.04	.50	3.50	5/16	11	213.69
Metric									
PBC-700	RR30-480	30	480	16.00	30	60	M5	8	55.63
PBC-705	RR30-720	30	720	16.00	30	60	M5	12	75.55
PBC-710	RR30-960	30	960	16.00	30	60	M5	16	94.68
PBC-715	RR45-480	45	480	20.50	30	60	M6	8	77.03
PBC-720	RR45-720	45	720	20.50	30	60	M6	12	103.25
PBC-725	RR45-960	45	960	20.50	30	60	M6	16	128.23
PBC-730	RR65-480	65	480	27.00	40	80	M6	6	169.95
PBC-735	RR65-720	65	720	27.00	40	80	M6	9	232.31
PBC-740	RR65-960	65	960	27.00	40	80	M6	12	292.75

13	Quantity	1-24	25-99	100-249	250-499	500-999	1000-2499	2500+
	Discount	Net	5%	8%	10%	12.5%	15%	Call

CAM FOLLOWERS

Steel and Stainless Steel Needle Bearing

Regular Duty Steel - The inner and outer race are made of high carbon chrome bearing steel through hardened and ground. The studs are low carbon steel. The steel type are slotted. Hex socket types are available as special order. Please call for price and delivery.

Regular Duty Stainless Steel - Made of 440C stainless steel. Extends your bearing life and reduces maintenance cost. They use food grade lubricant. The stainless type have a hex socket.

Heavy Duty Steel - Similar to the regular duty but the studs are thicker. The heavy duty steel type have a hex socket. Other sizes available as special order. Please call for price and delivery.

Heavy Duty Stainless Steel - Made of 440C stainless steel. Similar to the regular duty stainless steel. The stainless type have a hex socket. Other sizes available as special order. Please call for price and delivery.

Stud Type Followers



Steel Cat. No.	Stainless Cat. No.	Size	+0.000		+0.010		E		Dynamic Rating Lbs.		Static Rating Lbs.		Price Each 1-24		
			-0.001	-0.005	-0.000	-0.010	A	B	Steel	Stainless	Steel	Stainless	Steel	Stainless	
Regular Duty															
CCF-5	CCF-350	1/2	.500	.375	.190	.625	.250	10-32	—	680	544	790	632	8.64	45.65
CCF-10	CCF-355	5/8	.625	.438	.250	.750	.312	1/4-28	—	955	796	1,215	796	9.50	45.38
CCF-15	CCF-360	3/4	.750	.500	.375	.875	.375	3/8-24	1/4	1,660	1,328	2,065	1,652	8.75	45.94
CCF-20	—	7/8	.875	.500	.375	.875	.375	3/8-24	1/4	1,660	—	2,065	—	9.00	—
CCF-25	CCF-370	1	1.000	.625	.438	1.000	.500	7/16-20	1/4	2,225	1,780	2,065	2,448	9.81	50.21
CCF-30	—	1 1/8	1.125	.625	.438	1.000	.500	7/16-20	1/4	2,225	—	3,060	—	11.50	—
CCF-35	CCF-380	1 1/4	1.250	.750	.500	1.250	.625	1/2-20	5/16	3,930	3,144	4,250	3,400	12.23	66.84
CCF-40	—	1 3/8	1.375	.750	.500	1.250	.625	1/2-20	5/16	3,930	—	4,250	—	14.00	—
CCF-45	CCF-390	1 1/2	1.500	.875	.625	1.500	.750	5/8-18	3/8	4,840	3,872	5,640	4,572	16.00	81.87
CCF-50	—	1 5/8	1.625	.875	.625	1.500	.750	5/8-18	3/8	4,840	—	5,640	—	17.00	—
CCF-55	CCF-400	1 3/4	1.750	1.000	.750	1.750	.875	3/4-16	7/16	6,385	5,108	7,920	6,336	18.60	101.86
CCF-60	—	1 7/8	1.875	1.000	.750	1.750	.875	3/4-16	7/16	6,385	—	7,920	—	19.21	—
CCF-65	CCF-410	2	2.000	1.250	.875	2.000	1.000	7/8-14	1/2	8,090	6,472	10,570	8,456	26.58	141.16
CCF-70	—	2 1/4	2.250	1.250	.875	2.000	1.000	7/8-14	1/2	8,090	—	10,570	—	28.16	—
CCF-75	—	2 1/2	2.500	1.500	1.000	2.250	1.125	1-14	9/16	11,720	—	16,450	—	35.39	—
CCF-80	—	3	3.000	1.750	1.250	2.500	1.250	1 1/4-12	5/8	15,720	—	24,910	—	71.75	—
Heavy Duty															
CCF-500	CCF-965	1/2	.500	.375	.250	.625	.250	1/4-28	—	680	544	1,580	1,106	10.19	48.95
CCF-505	CCF-970	5/8	.625	.438	.313	.750	.312	9/16-24	—	955	796	2,480	1,736	10.08	48.53
CCF-510	CCF-975	3/4	.750	.500	.438	.875	.375	7/16-20	1/4	1,660	1,328	4,130	2,891	10.19	48.95
CCF-515	—	7/8	.875	.500	.438	.875	.375	7/16-20	1/4	1,660	—	4,130	—	10.45	—
CCF-520	CCF-980	1	1.000	.625	.625	1.000	.500	5/8-18	1/4	2,225	1,780	6,120	4,284	12.49	60.06
CCF-525	CCF-985	1 1/4	1.250	.750	.750	1.250	.625	3/4-16	5/16	3,930	3,144	8,500	5,950	15.01	72.18
CCF-530	—	1 3/8	1.375	.750	.750	1.250	.625	3/4-16	5/16	3,930	—	8,500	—	15.81	—
CCF-535	CCF-990	1 1/2	1.500	.875	.875	1.500	.750	7/8-14	3/8	4,840	3,872	11,280	7,896	18.51	89.04
CCF-540	CCF-995	1 3/4	1.750	1.000	1.000	1.750	.875	1-14	7/16	6,385	5,108	15,840	11,088	23.00	110.72
CCF-545	CCF-1000	2	2.000	1.250	1.125	2.000	1.000	1 1/8-12	1/2	8,090	14,798	21,140	6,472	31.85	153.19
CCF-550	—	2 1/4	2.250	1.250	1.125	2.000	1.000	1 1/8-12	1/2	8,090	—	21,140	—	33.63	—
CCF-555	—	2 1/2	2.500	1.500	1.250	2.250	1.125	1 1/4-12	9/16	11,720	—	32,900	—	41.27	—

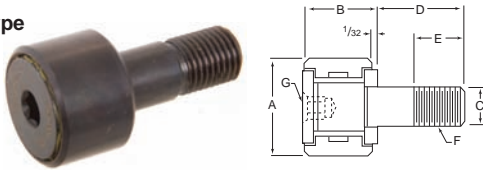
SELF-LUBRICATING CAM FOLLOWERS

Steel Bronze Bushing Bearing

Self-lubricating cam follower provides continuous, dependable lubrication for the life of the unit. Heat-treated steel roller with machined lubrication reservoirs are pre-filled with specially developed lube mixtures. Lubrication penetrates through a porous inner sintered bronze bushing by capillary action. Particularly well suited for applications with light to moderate loads operating at medium to higher speeds. Frequently used in food processing, farm and construction, machine tools, metal-working and packaging. Can be used in high humidity applications, or where equipment is subject to frequent "wash downs".

- Bronze bushing bearing
- Reduces maintenance costs due to simplified design
- Interchangeable with standard types of needle roller bearings
- Ambient temperature of +30°F to +150°F

Stud Type



Cat. No.	Size	+0.000		+0.001		+0.010		+0.030		Hex Key Thread Across Flats	Load Factor*	Price Each 1-24
		-0.001	-0.005	-0.000	-0.010	-0.030	A	B	C			
NCF-5	1/2	.500	.375	.190	.625	.250	10-32	1/8	.070	10.33		
NCF-10	5/8	.625	.4375	.250	.750	.312	1/4-28	1/8	.087	10.33		
NCF-15	3/4	.750	.500	.375	.875	.375	3/8-24	3/16	.097	10.93		
NCF-20	7/8	.875	.500	.375	.875	.375	3/8-24	3/16	.164	8.70		
NCF-25	1	1.000	.625	.4375	1.000	.500	7/16-20	1/4	.250	10.93		
NCF-30	1 1/8	1.125	.625	.4375	1.000	.500	7/16-20	1/4	.250	11.50		
NCF-35	1 1/4	1.250	.750	.500	1.250	.625	1/2-20	5/16	.391	13.70		
NCF-40	1 3/8	1.375	.750	.500	1.250	.625	1/2-20	5/16	.391	14.43		
NCF-45	1 1/2	1.500	.875	.625	1.500	.750	5/8-18	5/16	.544	16.83		
NCF-50	1 3/4	1.625	.875	.625	1.500	.750	5/8-18	5/16	.544	16.83		
NCF-60	2	1.750	1.000	.750	1.750	.875	3/4-16	3/8	.700	22.03		
NCF-65	1 7/8	1.875	1.000	.750	1.750	.875	3/4-16	3/8	.700	22.74		
NCF-70	2	2.000	1.125	.875	2.000	1.000	7/8-14	3/8	.984	29.12		

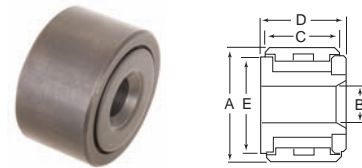
*For load factor information see table above

Load Factor Information

rpm	Unit Load psi
Slow and Intermittent	4,000 Lbs.
150 to 300 rpm	2,000 Lbs.
300 to 600 rpm	600 Lbs.
600 to 900 rpm	400 Lbs.
900 to 1,200 rpm	300 Lbs.

Example:
NCF-40 Cam Follower at 800 rpm = .391 (load factor) x 400 Lbs. = 156.4 Lbs. Capacity

Yoke Type



Cat. No.	Size	+0.000		+0.002		+0.005		Shaft Dia.	Load Factor*	Price Each 1-24
		-0.001	-0.004	-0.005	-0.010	A	B			
NCF-105	3/4	.750	.250	.500	.5625	.5/8	.2497	.190	9.35	
NCF-110	7/8	.875	.250	.500	.5625	5/8	.2497	.190	9.92	
NCF-115	1	1.000	.3125	.625	.6875	1 1/16	.3122	.250	11.11	
NCF-120	1 1/8	1.125	.3125	.625	.6875	1 1/16	.3122	.250	11.16	
NCF-125	1 1/4	1.250	.375	.750	.8125	7/8	.3747	.390	12.10	
NCF-130	1 3/8	1.375	.375	.750	.8125	7/8	.3747	.390	12.77	
NCF-135	1 1/2	1.500	.4375	.875	.9375	1	.4372	.510	14.65	
NCF-140	1 5/8	1.625	.4375	.875	.9375	1	.4372	.510	15.95	
NCF-145	1 3/4	1.750	.500	1.000	1.0625	1 1/16	.4997	.650	19.78	
NCF-150	1 7/8	1.875	.500	1.000	1.0625	1 1/16	.4997	.650	20.09	
NCF-155	2	2.000	.625	1.125	1.3125	1 3/8	.6247	.928	23.88	

*For load factor information see table above

13	Quantity	1-24	25-99	100-249	250-499	500-999	1000-2499	2500+
	Discount	Net	5%	8%	10%	12.5%	15%	Call

MOTORS**56C Frame Motors**

TEFC enclosure. Capacitor start. Electrically reversible. Removable bolt on/bolt off base. Industrial gauge steel motor frame and base. Class F motor insulation. Ball bearing. Overload - none. Service factor 1.15.

**Single Phase Motors
115/208-230 Volt**

Cat. No.	HP	RPM	Voltage	Frame Size	Price Each
WWEC-57	1/3	1800	115/208-230	56C	180.14
WWEC-58	1/2	1800	115/208-230	56C	189.80
WWEC-59	3/4	1800	115/208-230	56C	206.58
WWEC-60	1	1800	115/208-230	56C	230.48
WWEC-61	1.5	1800	115/208-230	56C	291.07
WWEC-62	2	1800	115/208-230	56C	354.14

**Three Phase Motors
208-230/460 Volt**

Cat. No.	HP	RPM	Voltage	Frame Size	Price Each
WWEC-63	1/3	1800	208-230/460	56C	164.34
WWEC-64	1/2	1800	208-230/460	56C	174.54
WWEC-65	3/4	1800	208-230/460	56C	189.26
WWEC-66	1	1800	208-230/460	56C	211.17
WWEC-67	1.5	1800	208-230/460	56C	267.66
WWEC-68	2	1800	208-230/460	56C	315.46

**ELECTRIC MOTORS FOR
HYDRAULIC POWER UNITS****C-Flange Mount Round Body
208-230/460 Volt**

1.5 HP to 40 HP. 1800 RPM. 208-230/460 volt. TEFC enclosure. Class F insulation. Service factor 1.15.

Cat. No.	HP	RPM	Voltage	Frame Size	Price Each
WWEC-240	1.5	1800	208-230/460	145TC	434.25
WWEC-241	2	1800	208-230/460	145TC	240.52
WWEC-242	3	1800	208-230/460	182TC	277.38
WWEC-243	5	1800	208-230/460	184TC	359.03
WWEC-244	7.5	1800	208-230/460	213TC	591.38
WWEC-245	10	1800	208-230/460	215TC	667.70
WWEC-246	15	1800	208-230/460	254TC	1023.05
WWEC-247	20	1800	208-230/460	256TC	1080.06
WWEC-248	25	1800	208-230/460	284TC	1536.08
WWEC-249	30	1800	208-230/460	286TC	1548.07
WWEC-250	40	1800	208-230/460	324T	2248.07

**C-Flange Mount with Base
208-230/460 Volt**

1.5 HP to 150 HP. 3600, 1800 and 1200 RPM. 208-230/460 volt. TEFC enclosure. Class F insulation. Service factor 1.15.

Cat. No.	HP	RPM	Voltage	Frame Size	Price Each
WWEC-251	1.5	1800	208-230/460	145TC	266.17
WWEC-252	2	3600	208-230/460	145TC	290.14
WWEC-253	2	1800	208-230/460	145TC	277.04
WWEC-254	3	3600	208-230/460	145TC	409.47
WWEC-255	3	3600	208-230/460	182TC	364.10
WWEC-256	3	1800	208-230/460	182TC	358.48
WWEC-257	5	3600	208-230/460	184TC	477.83
WWEC-258	5	1800	208-230/460	184TC	433.15
WWEC-259	5	1200	208-230/460	215TC	729.87
WWEC-260	7.5	3600	208-230/460	184TC	733.17
WWEC-261	7.5	3600	208-230/460	213TC	659.85
WWEC-262	7.5	1800	208-230/460	213TC	602.60
WWEC-263	7.5	1200	208-230/460	254TC	910.84
WWEC-264	10	3600	208-230/460	215TC	716.75
WWEC-265	10	1800	208-230/460	215TC	666.71
WWEC-266	10	1200	208-230/460	256TC	1239.01
WWEC-267	15	3600	208-230/460	215TC	1251.04
WWEC-268	15	3600	208-230/460	254TC	1126.03
WWEC-269	15	1800	208-230/460	254TC	1042.08
WWEC-270	15	1200	208-230/460	284TC	1555.09
WWEC-271	20	3600	208-230/460	256TC	1212.03
WWEC-272	20	1800	208-230/460	256TC	1123.04
WWEC-273	20	1200	208-230/460	286TC	1871.04
WWEC-274	25	1800	208-230/460	284TC	1518.09
WWEC-275	25	1200	208-230/460	324TC	2258.07
WWEC-276	30	1800	208-230/460	286TC	1602.07
WWEC-277	30	1200	208-230/460	326TC	2651.05
WWEC-278	40	1800	208-230/460	324TC	2110.08
WWEC-279	40	1200	208-230/460	364TC	3168.02
WWEC-280	50	1800	208-230/460	326TC	2692.01
WWEC-281	50	1200	208-230/460	365TC	4248.01
WWEC-282	60	1800	208-230/460	364TC	3456.08

INDUSTRIAL DUTY MOTORS**Three Phase Motors****575 Volt**

1.5 HP to 250 HP. 1800RPM. 208-230/460 volt. TEFC enclosure. Class F insulation. Service factor 1.15.

Cat. No.	HP	RPM	Voltage	Frame Size	Price Each
WWEC-167	1.5	1800	575	145T	291.04
WWEC-168	2	1800	575	145T	302.69
WWEC-169	3	1800	575	182T	394.61
WWEC-170	5	1800	575	184T	440.20
WWEC-171	7.5	1800	575	213T	612.40
WWEC-172	10	1800	575	215T	677.55
WWEC-173	15	1800	575	254T	1059.08
WWEC-174	20	1800	575	256T	1141.07
WWEC-175	25	1800	575	284T	1672.01
WWEC-176	30	1800	575	286T	1764.04
WWEC-177	40	1800	575	324T	2301.03
WWEC-178	50	1800	575	326T	3036.03
WWEC-179	60	1800	575	364T	3804.00
WWEC-180	75	1800	575	365T	4398.07

208-230/460 Volt

1 HP to 500 HP. 3600, 1800, 1200 and 900 RPM. 208-230/460 volt. TEFC enclosure. Class F insulation. Service factor 1.15.

Cat. No.	HP	RPM	Voltage	Frame Size	Price Each
WWEC-69	1	1200	208-230/460	145T	282.90
WWEC-70	1.5	1800	208-230/460	145T	261.94
WWEC-71	1.5	1200	208-230/460	182T	303.86
WWEC-72	2	3600	208-230/460	145T	289.52
WWEC-73	2	1800	208-230/460	145T	272.42
WWEC-74	2	1200	208-230/460	182T	392.95
WWEC-75	3	3600	208-230/460	145T	408.27
WWEC-76	3	3600	208-230/460	182T	367.46
WWEC-77	3	1800	208-230/460	182T	355.15
WWEC-78	5	3600	208-230/460	184T	473.26
WWEC-79	5	1800	208-230/460	184T	396.18
WWEC-80	5	1200	208-230/460	215T	701.97
WWEC-81	5	900	208-230/460	154T	1112.09
WWEC-82	7.5	3600	208-230/460	184T	711.75
WWEC-83	7.5	3600	208-230/460	213T	640.58
WWEC-84	7.5	1800	208-230/460	213T	551.15
WWEC-85	7.5	1200	208-230/460	254T	864.40
WWEC-86	7.5	900	208-230/460	256T	1224.09
WWEC-87	10	3600	208-230/460	215T	704.57
WWEC-88	10	1800	208-230/460	215T	609.80
WWEC-89	10	1200	208-230/460	256T	1178.07
WWEC-90	10	900	208-230/460	284T	1771.04
WWEC-91	15	3600	208-230/460	215T	1243.04
WWEC-92	15	3600	208-230/460	254T	1119.01
WWEC-93	15	1800	208-230/460	254T	953.78
WWEC-94	15	1200	208-230/460	284T	1477.03
WWEC-95	15	900	208-230/460	286T	2291.07
WWEC-96	20	3600	208-230/460	256T	1208.00
WWEC-97	20	1800	208-230/460	256T	1027.05
WWEC-98	20	1200	208-230/460	286T	1778.01
WWEC-99	20	900	208-230/460	324T	2746.05
WWEC-100	25	3600	208-230/460	256T	1729.10
WWEC-101	25	3600	208-230/460	284T	1729.10
WWEC-102	25	3600	208-230/460	284TS	1556.10
WWEC-103	25	1800	208-230/460	284T	1504.09
WWEC-104	25	1200	208-230/460	324T	2145.05
WWEC-105	25	900	208-230/460	326T	3085.01
WWEC-106	30	3600	208-230/460	286T	1813.05
WWEC-107	30	3600	208-230/460	286TS	1632.01
WWEC-108	30	1800	208-230/460	286T	1587.10
WWEC-109	30	1200	208-230/460	326T	2521.10
WWEC-110	30	900	208-230/460	364T	3704.06
WWEC-111	40	3600	208-230/460	286T	2410.01
WWEC-112	40	3600	208-230/460	324T	2410.01
WWEC-113	40	3600	208-230/460	324TS	2169.00
WWEC-114	40	1800	208-230/460	324T	2071.02
WWEC-115	40	1200	208-230/460	364T	3134.03
WWEC-116	40	900	208-230/460	365T	4598.08
WWEC-117	50	3600	208-230/460	326T	3012.06
WWEC-118	50	3600	208-230/460	326TS	2711.03
WWEC-119	50	1800	208-230/460	326T	2732.07
WWEC-120	50	1200	208-230/460	365T	4108.04
WWEC-121	50	900	208-230/460	404T	5429.02
WWEC-122	60	3600	208-230/460	364T	4054.04
WWEC-123	60	3600	208-230/460	364TS	3648.09
WWEC-124	60	1800	208-230/460	364T	3423.06
WWEC-125	60	1200	208-230/460	404T	4609.08
WWEC-126	60	900	208-230/460	405T	6170.01
WWEC-127	75	3600	208-230/460	365TS	5164.07
WWEC-128	75	3600	208-230/460	365T	4648.02
WWEC-129	75	1800	208-230/460	365T	3958.08
WWEC-130	75	1200	208-230/460	405T	4749.06
WWEC-131	75	900	208-230/460	444T</	